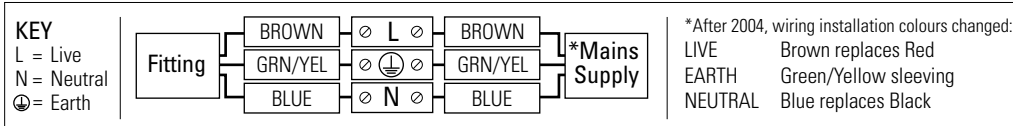


These instructions are provided for your safety in order to prevent the risk of Fire, Electric shock or Injury. It is vitally important that they are read in their entirety before installing your fitting. Please retain for future reference.

1. If you are in any doubt consult a qualified electrician as to the installation of the fitting. Install in accordance with current IEE wiring regulations. It is recommended that this fitting is installed by a qualified electrician.
2. Ensure that the electrical supply is OFF. Disconnect the electrical supply at the fuse-board.
3. If removing an existing fitting first, note all wiring connections: record which of the house wires is connected to the live, neutral and earth terminals.
4. Carefully identify where the supply cable is (and check there are no other cables in the area) to avoid damage to concealed wiring during installation.
5. Position the light where desired ensuring that there is suitable support adjacent to where you will connect to the house supply and mark position of fixing holes, before drilling appropriate holes as below.
6.
 - a. Brick or masonry: Drill holes into which the wall plugs tightly fit, then insert wall plugs.
 - b. Wood: No hole necessary (unless small pilot hole required), screws can be screwed directly into the timber.
 - c. Plaster/Cavity: Special cavity wall fittings are required, rather than provided fixings. These are widely available from good hardware or DIY store and should come with their own instructions that must be followed. It may be easier to relocate the fitting so that you screw directly into a timber joist or beam.
7. Support the fitting so that no strain is applied to the wiring when making the electrical connections.
8. Electrical connection: this light fitting must be earthed. Make connections following the diagram below.



9. Double check all the connections are secure and that no loose strands of wire are left out of the connectors.
10. Check that no wires are trapped behind or within the fitting and complete the installation, referring to the Installation diagram inside.
11. Fit the correct type and wattage of lamp (or less). Be careful not to overtighten the lamp.
12. Switch on at the fuse-board. Your light fitting is now ready for use.

Other Important Information

Switch off at mains before changing lamp(s). Never fit a lamp of greater wattage than recommended. Ensure children do not play with the light fitting. Dispose of old lamps carefully. Never leave a fitting without a lamp in position (or someone can accidentally touch the contacts). Adjust fitting only when power to the fitting is off and has been left to cool. If the external flexible cable or cord of this luminaire is damaged, it shall exclusively be replaced by the manufacturer or his service agent, or a similar qualified person in order to avoid a hazard. For use in dry, indoor environment only. Ensure the fitting does not come into contact with any liquids.

Cleaning and Maintenance

Metal finishes should only be cleaned with a soft, dry cloth. Do not use polishes or abrasives. Glass can be cleaned by hand, using a soft damp cloth with a diluted mild detergent (nonabrasive) or suitable glass cleaner if necessary. Switch off power to the fitting before cleaning. Spare parts are available for this product, please contact us on the details below.

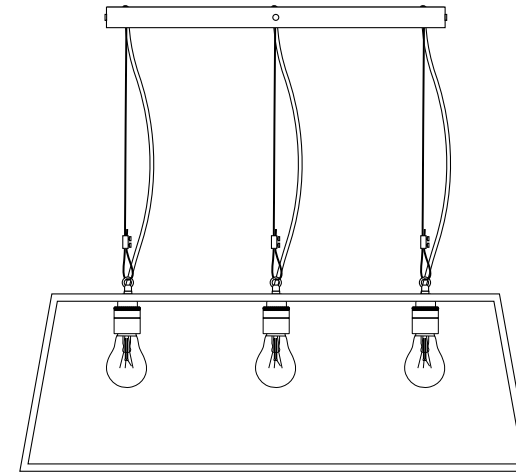
Established in 1990, Original BTC manufactures relaxed, familiar lighting for traditional and contemporary homes.

All products are hand-assembled in Oxford from high quality components, produced in the UK.

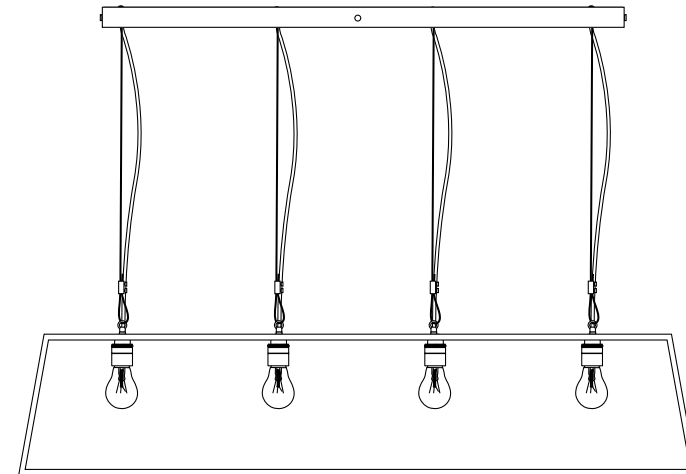
ORIGINALBTC.COM

+44 (0)1993 882 251

UNIT 21 / 22 AVENUE ONE, STATION LANE, WITNEY, OX28 4XZ, ENGLAND



7632/75






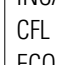
7632/125

Diner Pendants 7632/75-7632/125

| 230V AC 50Hz | IP20

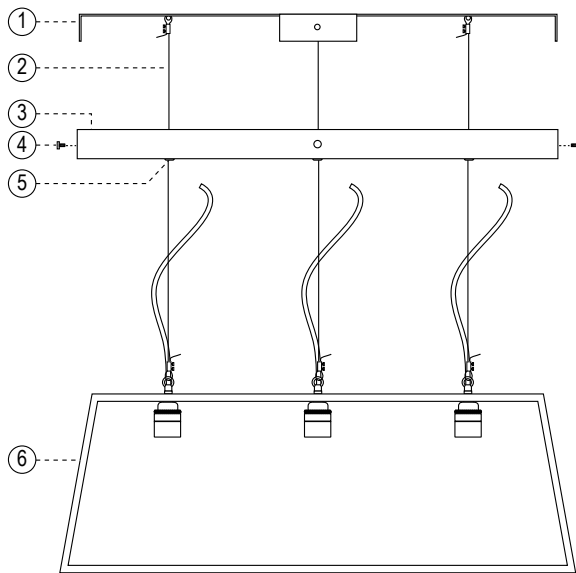
7632/75 Diner Pendant

7632/125 Diner Pendant

LAMP GUIDANCE			
BASE	SHAPE	TYPE*	WATTAGE**
		INCANDESCENT ✓	60W MAX
		CFL ✓	15W
		ECO-HALOGEN ✓	42W
E27	GLS BALL	LED ✓	10W

* Warm white (2700k) low energy lamps recommended.
 ** Wattage value provided as a guide to suitable lamps. Lower wattage than stated may be used.

Contents

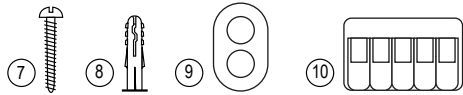


Contents

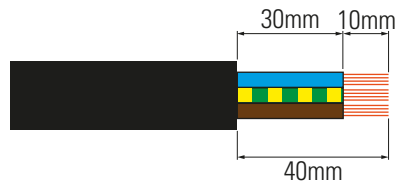
- 1 - Ceiling fixing plate
- 2 - Steel wire assembly
- 3 - Fixing plate cover
- 4 - Gallery screws x 4
- 5 - Cable entry grommets
- 6 - Glazed box pendant
- 7 - Fixing screws x 4
- 8 - Rawl plugs x 6
- 9 - Cord grip x 3
- 10 - WAGO connector x 3

Required for Installation

- Screwdriver, flat-head
- Small screwdriver, flat-head
- Drill (if holes are required)



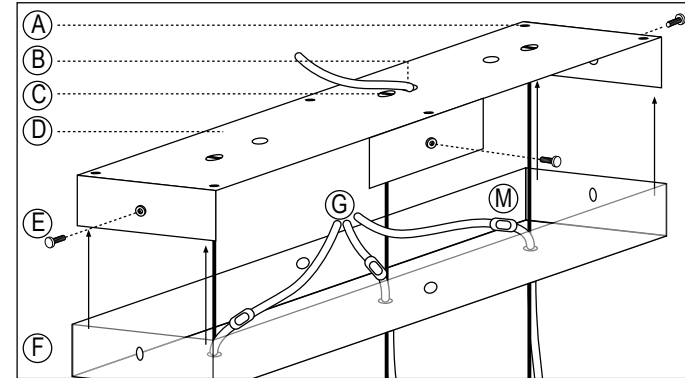
Main Supply Cable Preparation



Please prepare the supply cable as shown. Note the maximum conductor size 4mm².

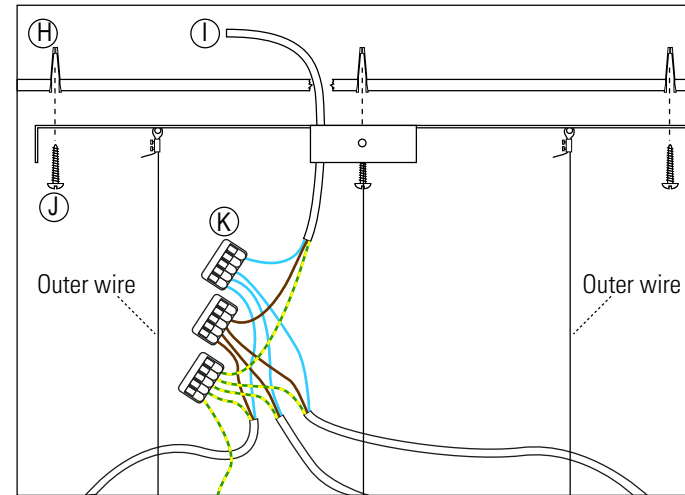
Installation Diagram

Fixing box diagram



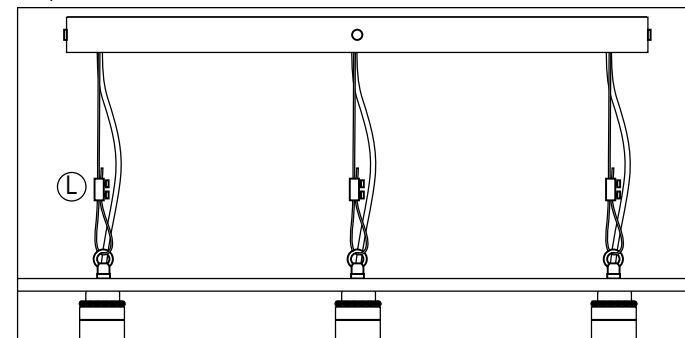
- A 5mm Fixing holes
- B Mains cable entry hole
- C Wire supports
- D Ceiling fixing plate
- E M5 gallery screws
- F Fixing plate cover
- G Luminaire flex
- H Rawl plugs
- I Main supply
- J Fixing screws
- K Connector block
- L Wire grips
- M Cord grip

Step 1



- Unscrew gallery screws (E) to access fixing plate.
- Feed main supply through chosen cable entry of fixing plate, then follow instructions overleaf to fix plate to ceiling.
- Adjust drop as desired. Cut cable with wire cutters. Strip 40mm outer insulation & 10mm inner insulation. Ensure the cable is fed through the cord grips. Cut wire with wire cutters. Wire MUST take fitting weight, not the electrical cable. Wire MUST be shorter than the electrical cable. Tighten the wire grips firmly.

Step 2



- Feed each lamp flex (G) through bottom of cover then follow instructions overleaf to make electrical connection to main supply.
- Once wired, check grips are tightened securely, then push fixing plate cover over fixing plate, securing in place with gallery screws. Feed any excess flex into ceiling box.

PLEASE READ THE INSTRUCTIONS ON THE REVERSE BEFORE YOU BEGIN INSTALLING YOUR LIGHT