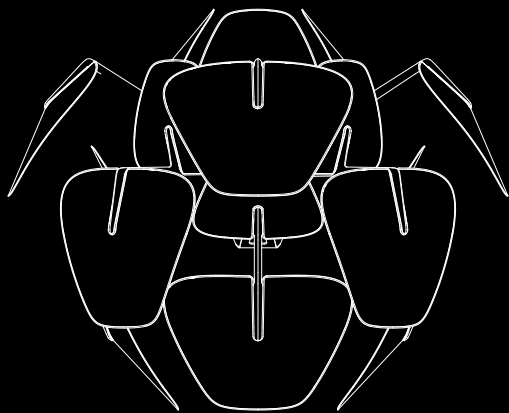
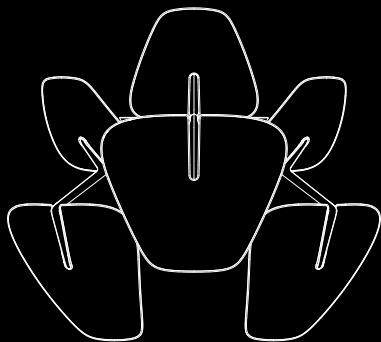


HOPE

design Francisco Gomez Paz / Paolo Rizzatto

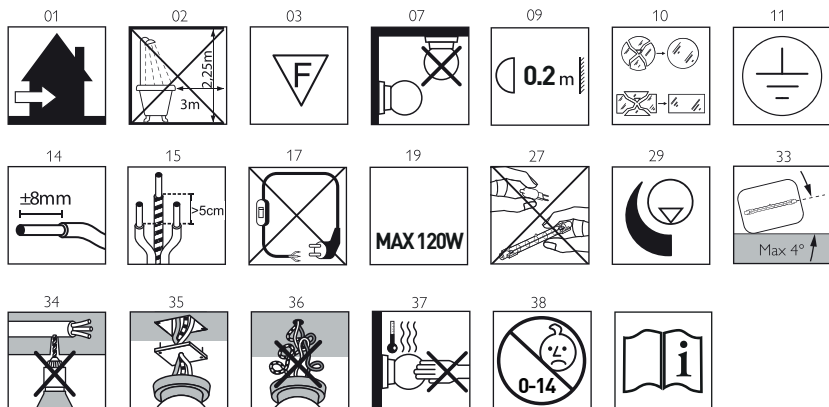


**LUCE
PLAN**

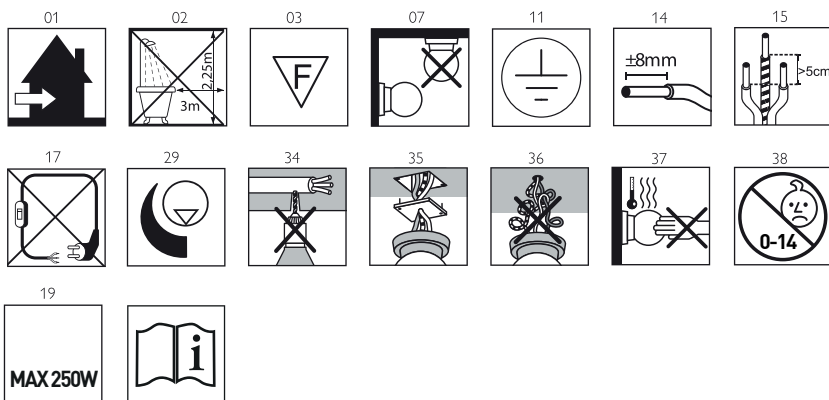
D66



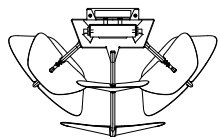
D66/3a



D66/8a



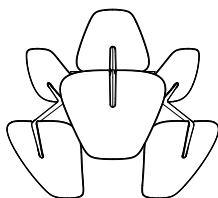
D66/3a



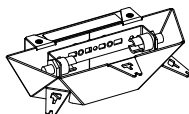
28,5 cm
11"

46,2 cm

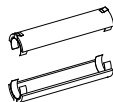
18"



41,2 cm
16"



x1



x1



x3



x3



x3



x1



x2

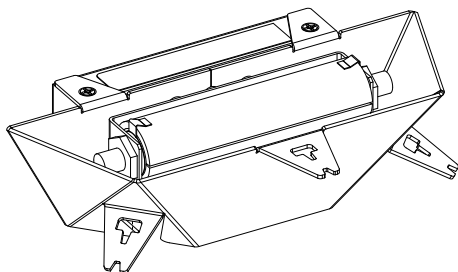
kg 0,7 kg

lb 1.5 lb

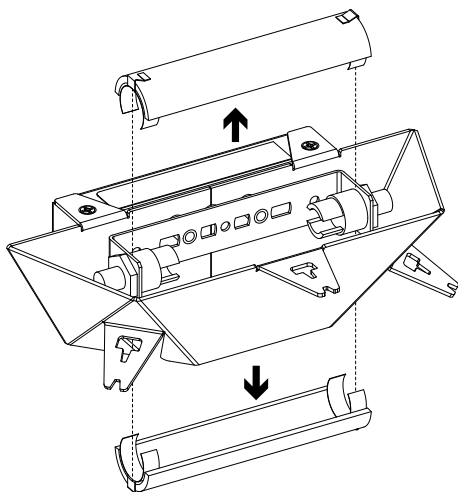


120 W
HDG
R7s
energy saver

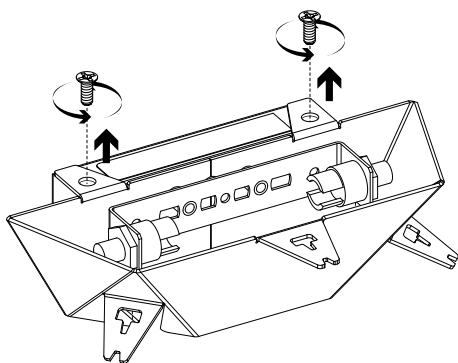
1

 D66/3a

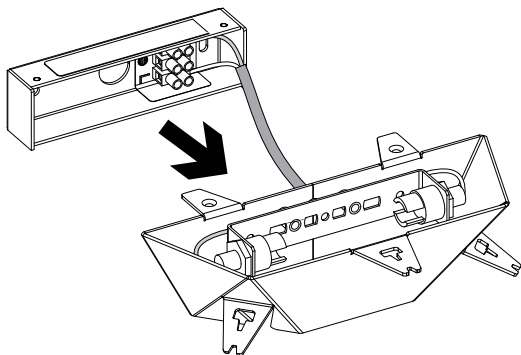
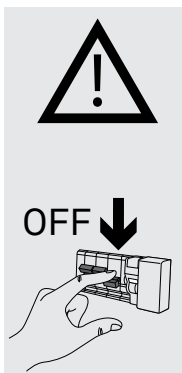
1.1



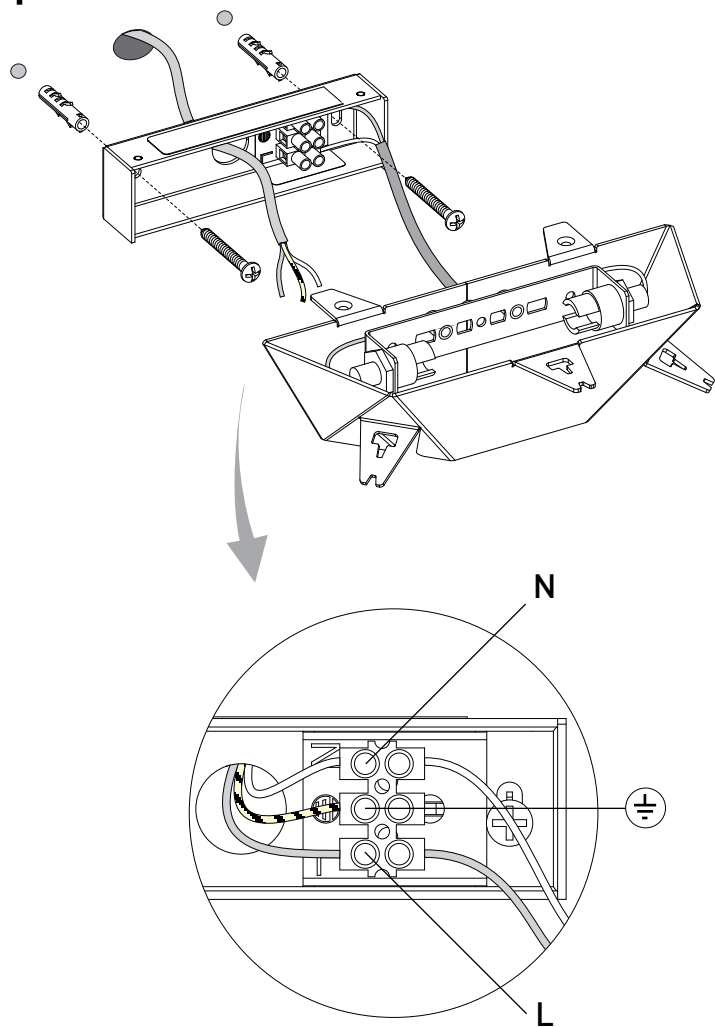
1.2



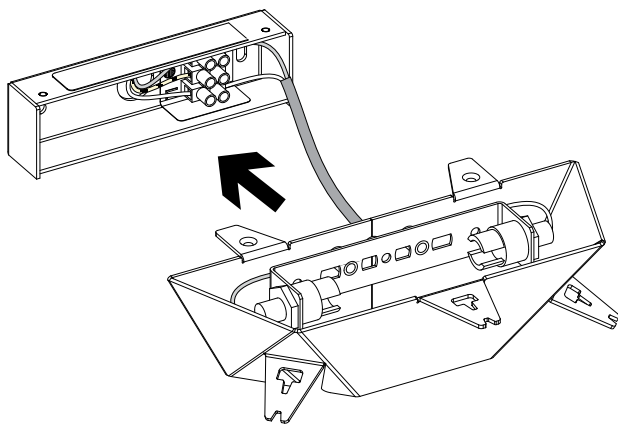
1.3



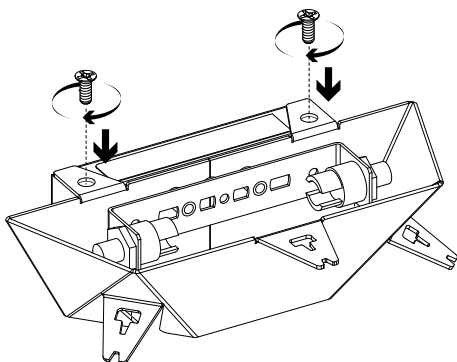
1.4



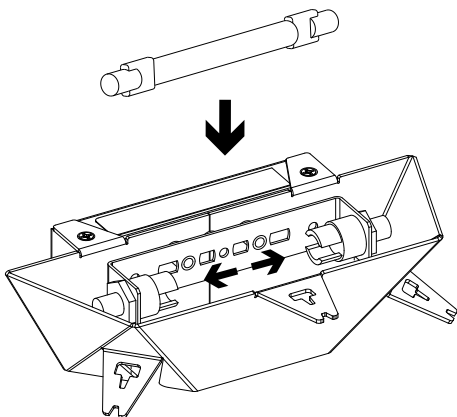
1.5



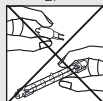
1.6



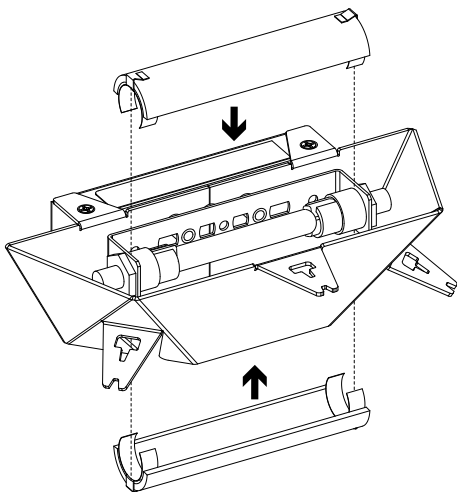
1.7



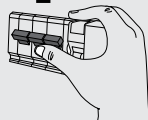
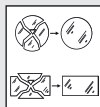
27



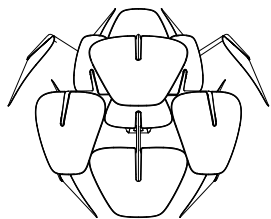
1.8



10



D66/8a



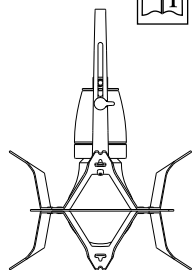
49 cm
19.3"

61 cm

24"



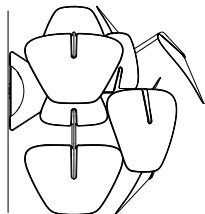
x1



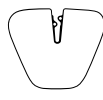
x1

45,6 cm

18"



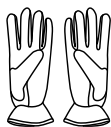
x8



x8



x8



x1



x2

kg

1,1 kg

lb

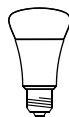
2.4 lb



max 250W
HSGSA
E27

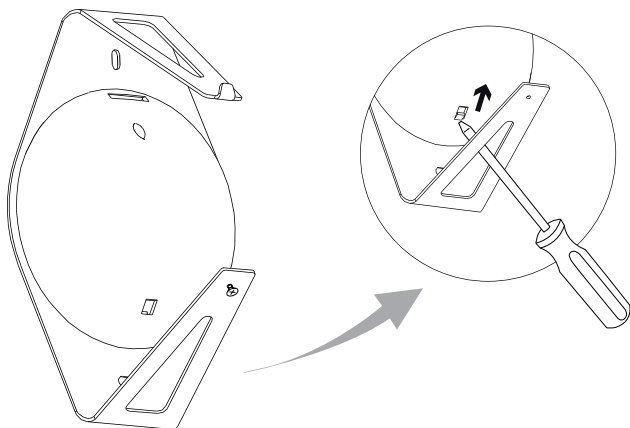


23W
FB
E27
fluorescent

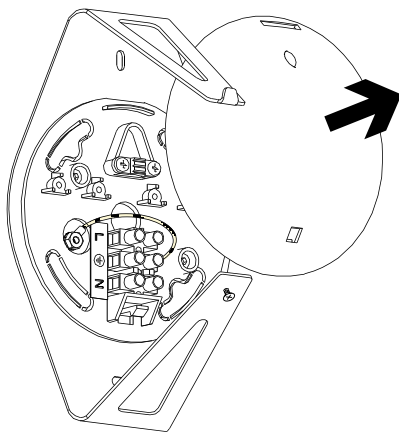


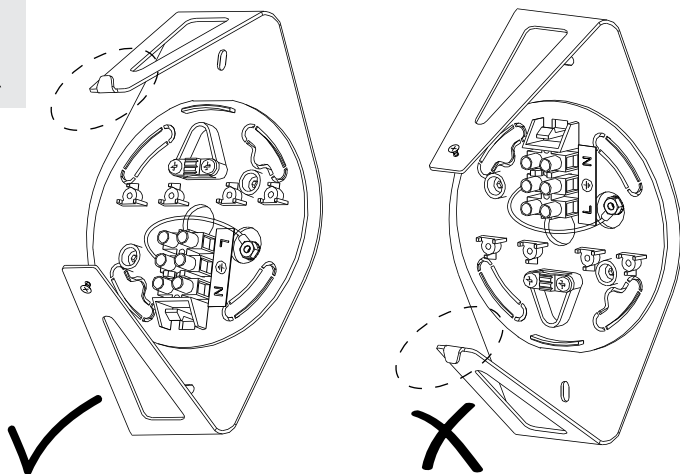
max 30W
SB LED LAMP
E27

1

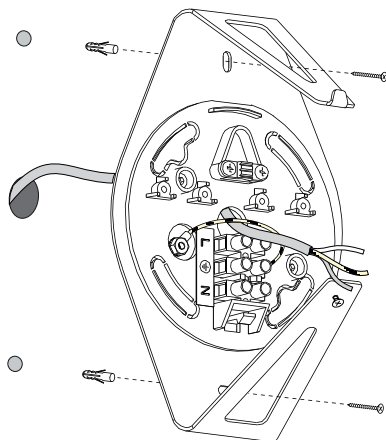
 D66/8a

1.2

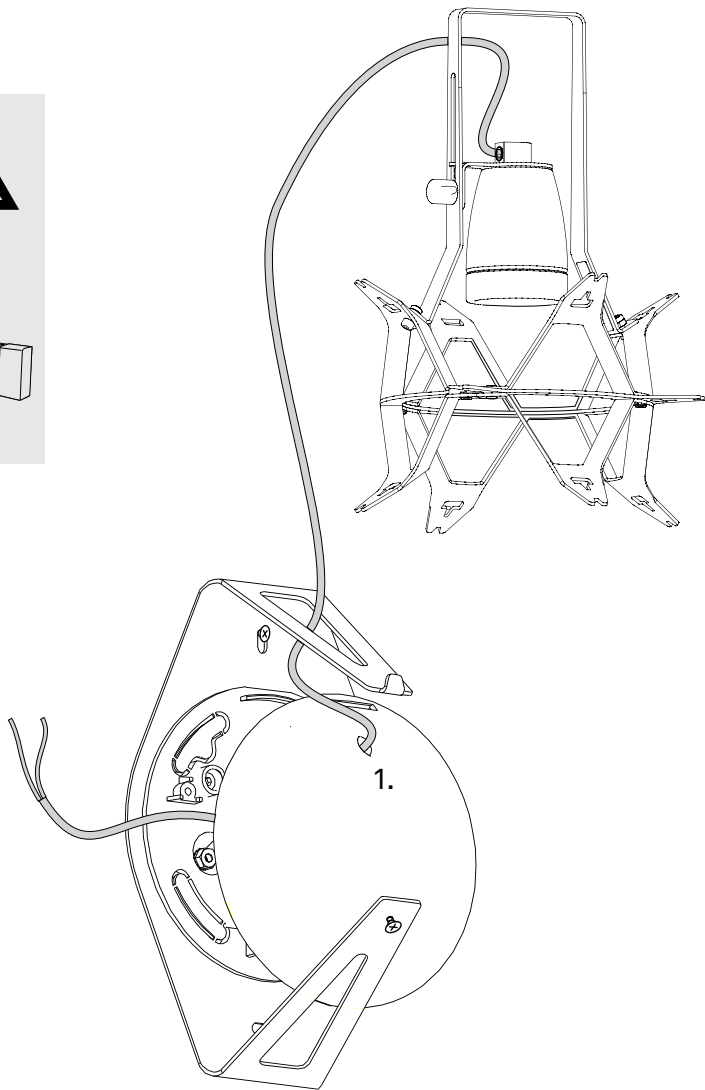
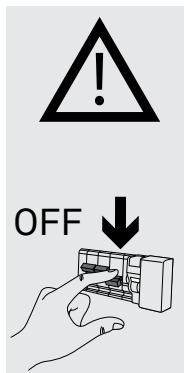


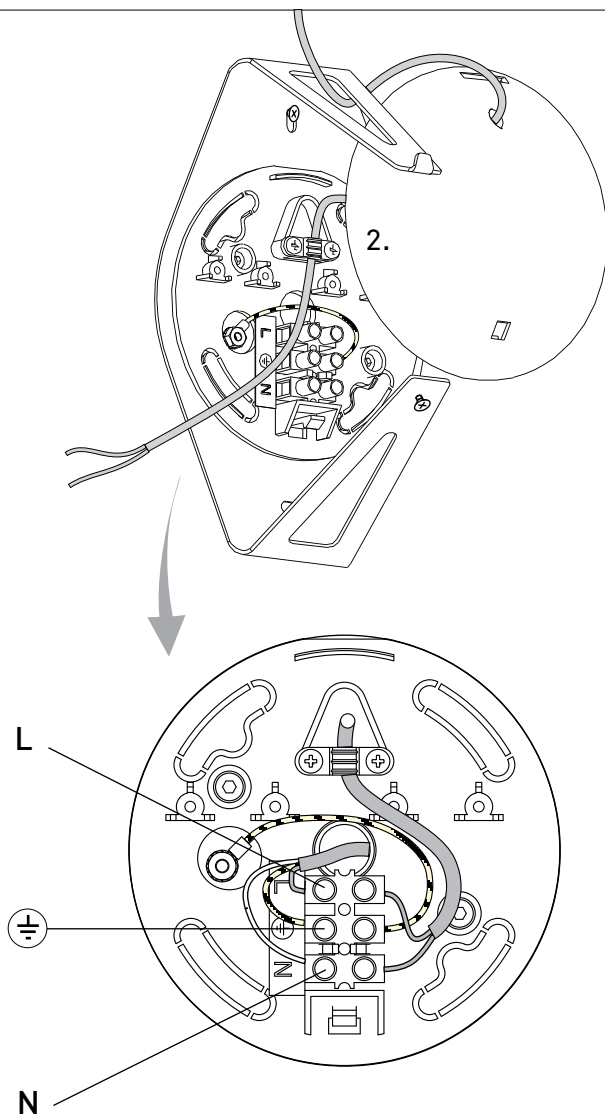


1.3

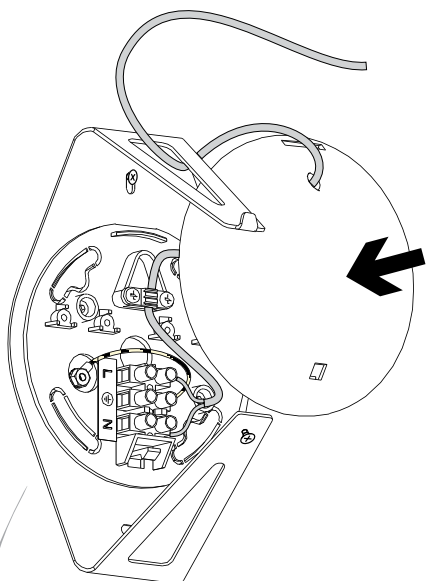


1.4

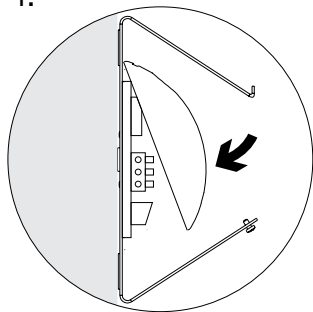




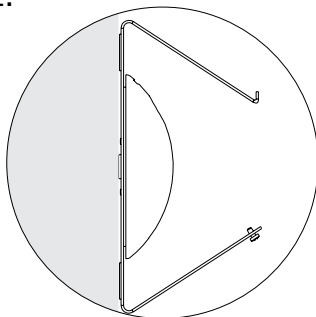
1.5



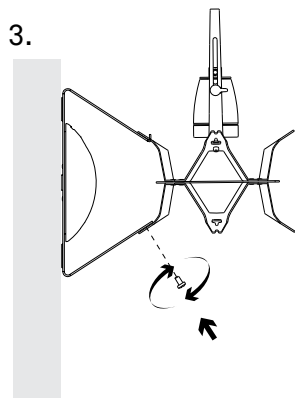
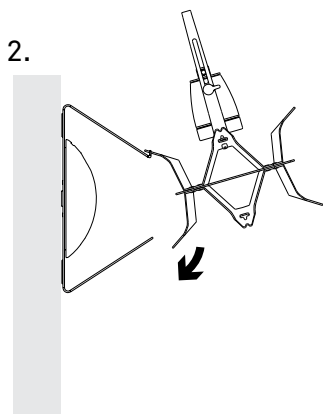
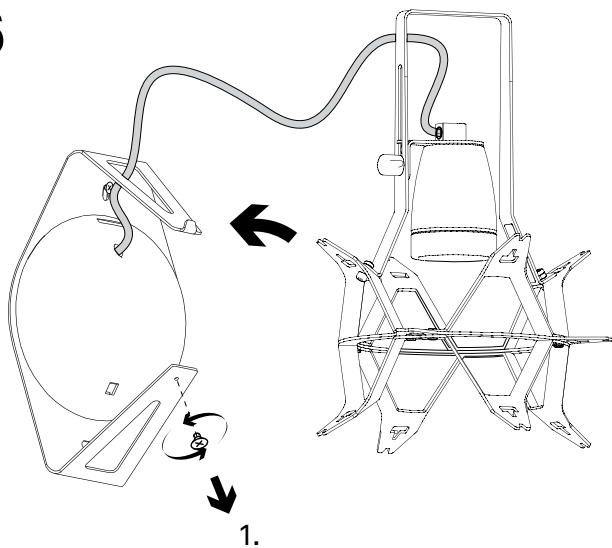
1.



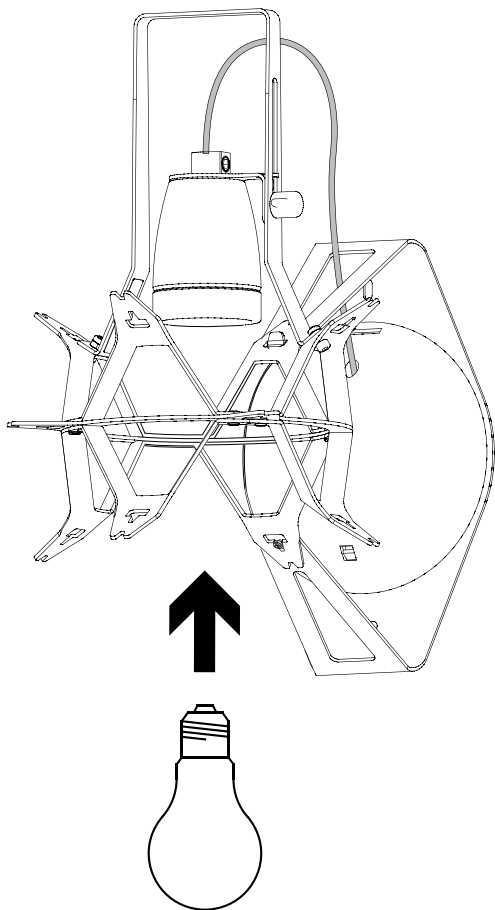
2.



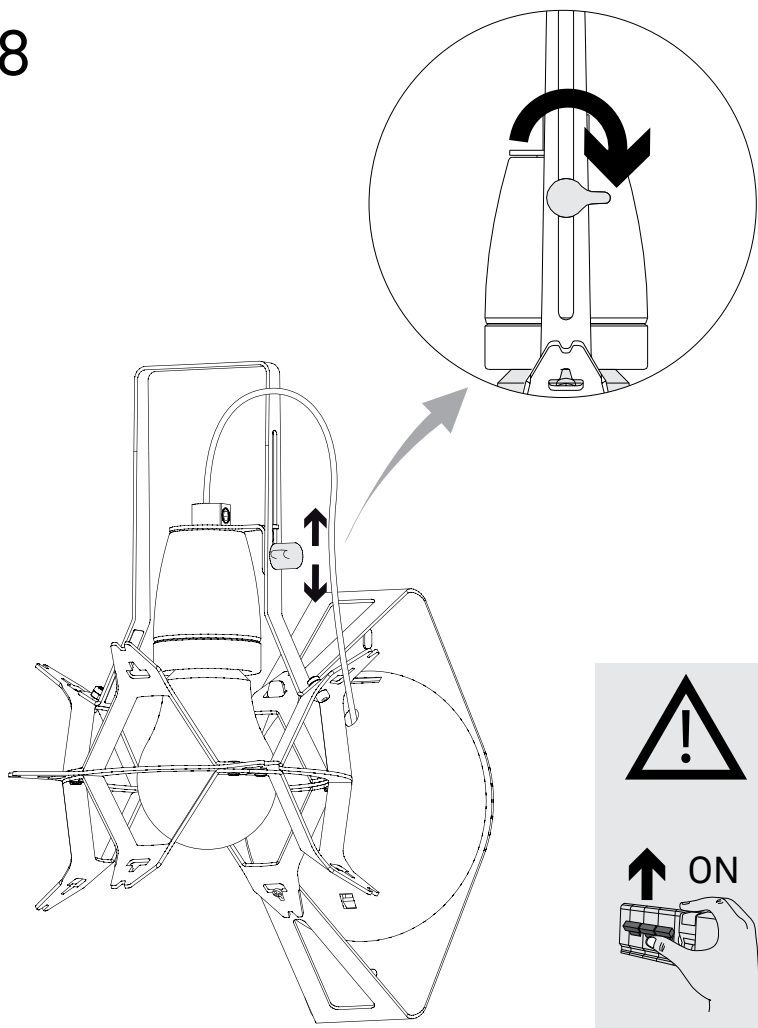
1.6

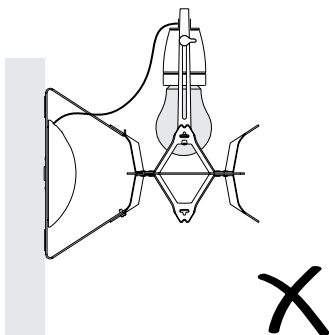
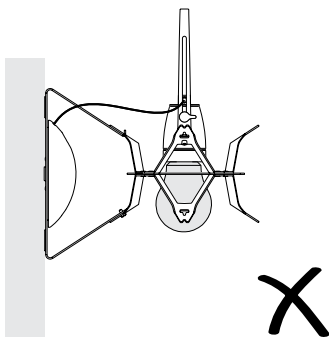
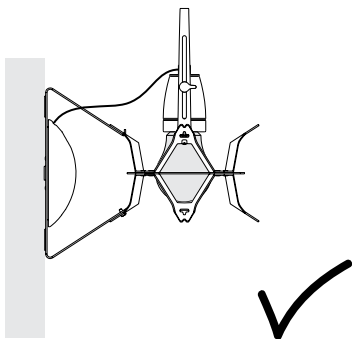


1.7

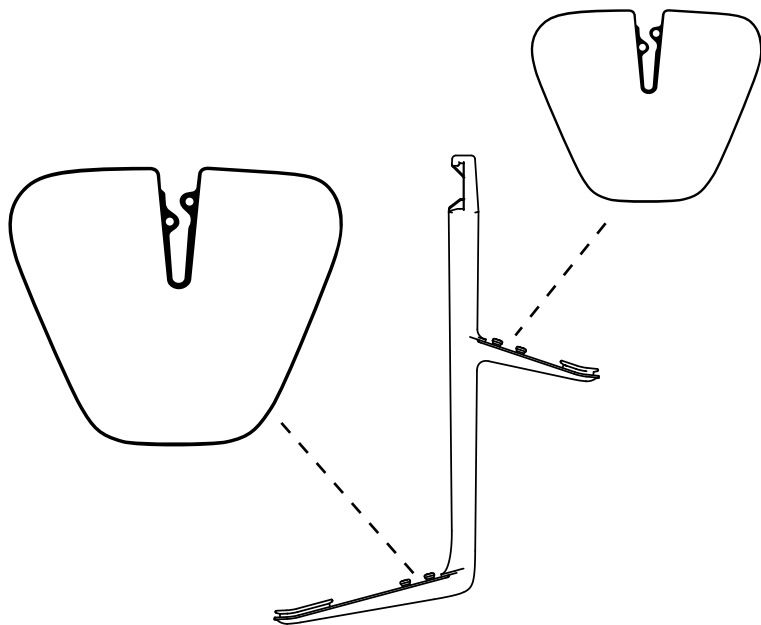


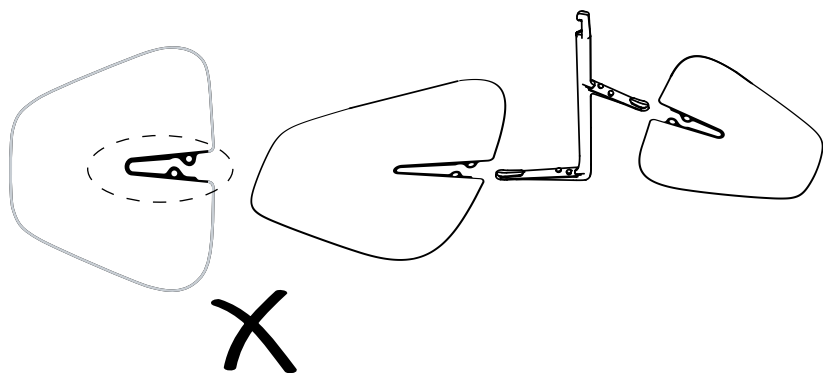
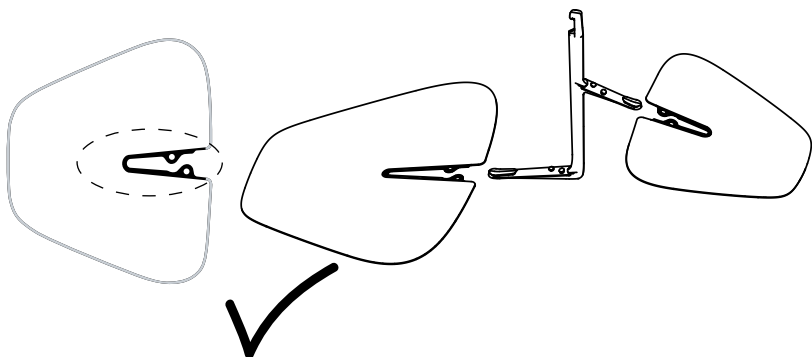
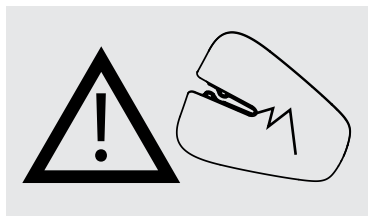
1.8



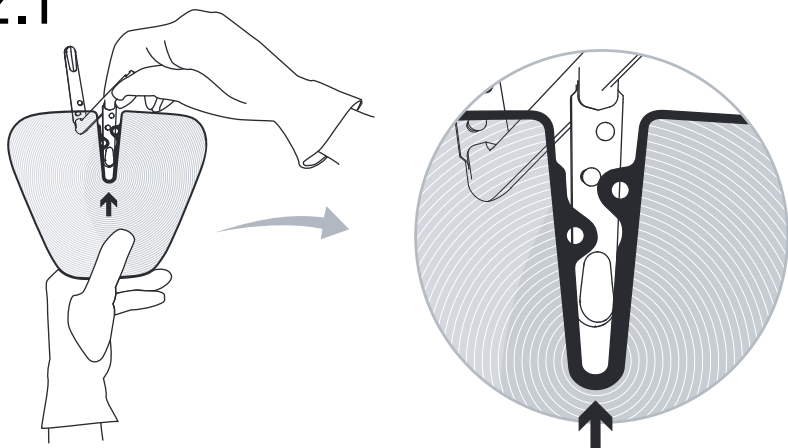


2

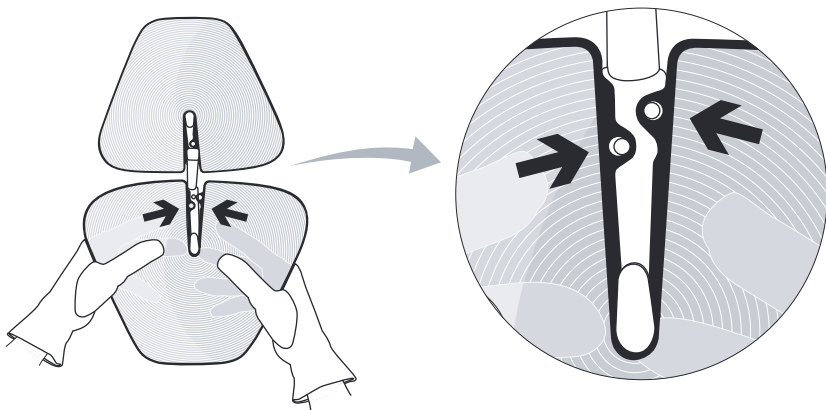




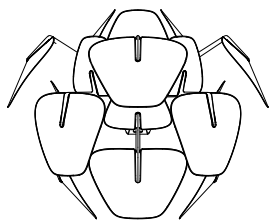
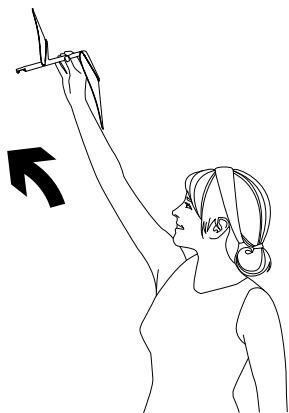
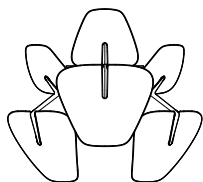
2.1

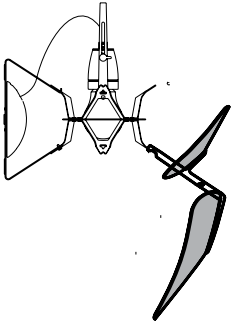


2.2

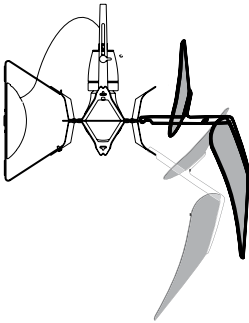


3

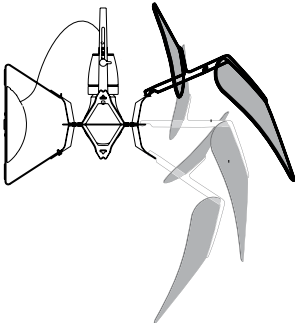




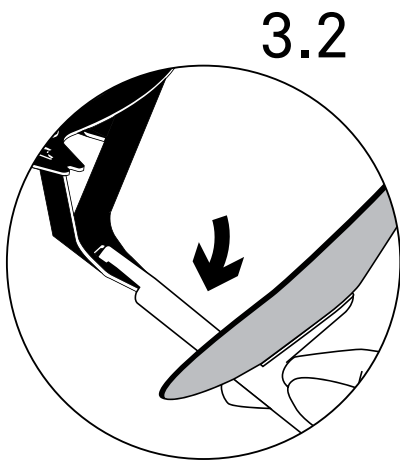
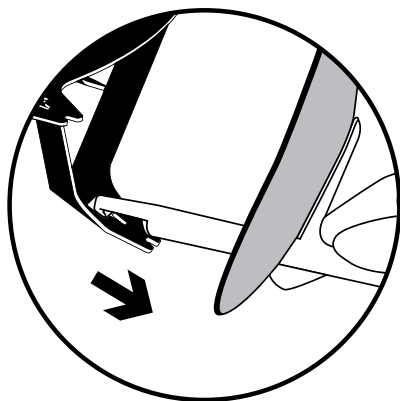
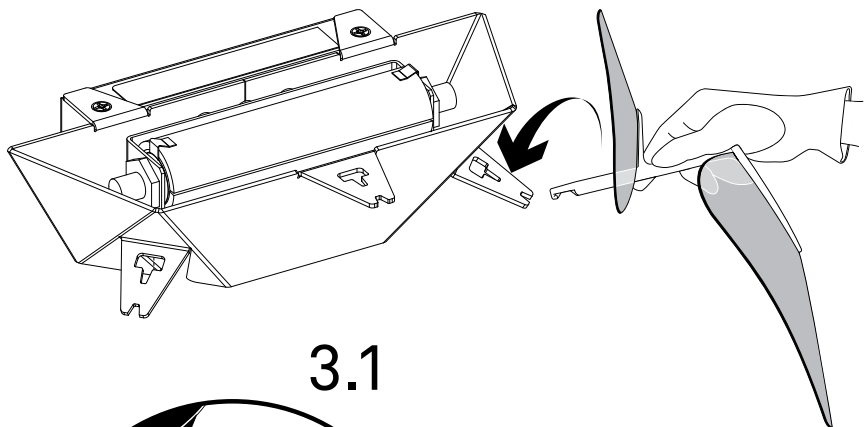
1.



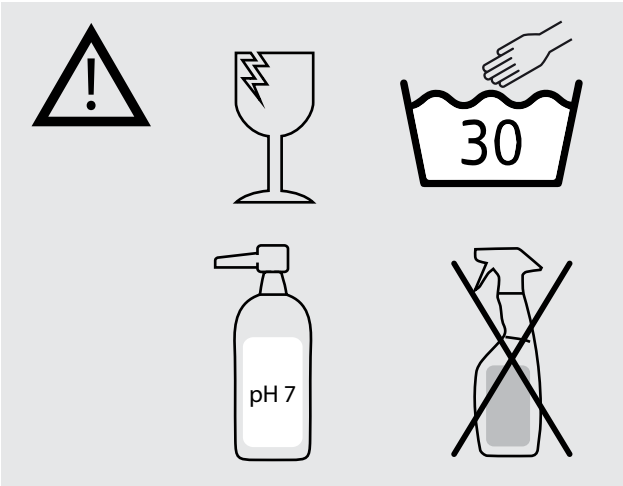
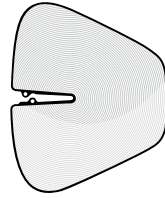
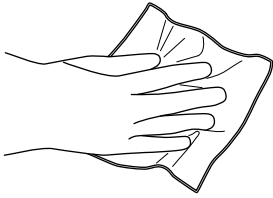
2.



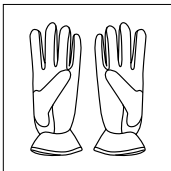
3.



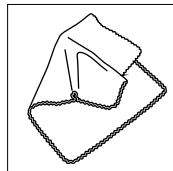
4



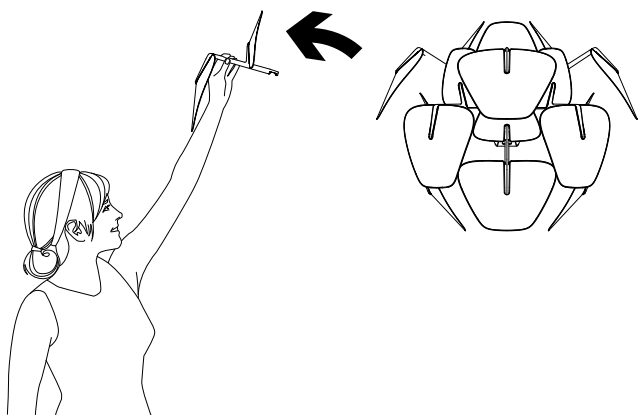
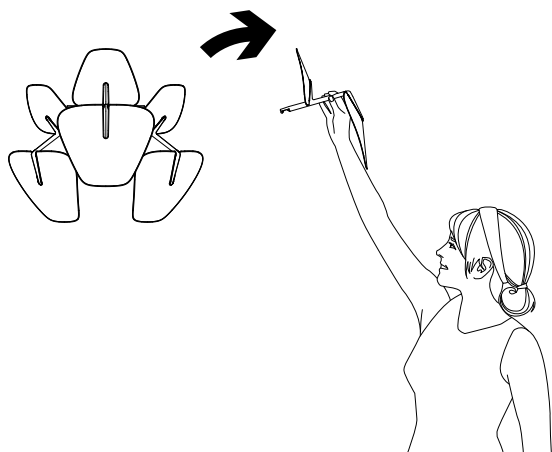
x1



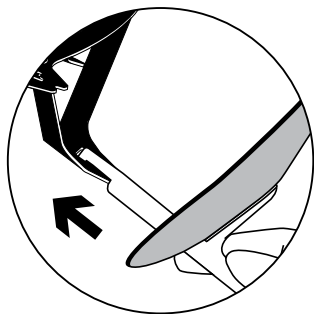
x2



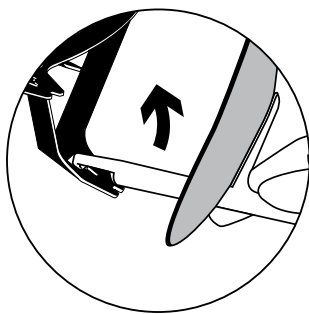
4.1



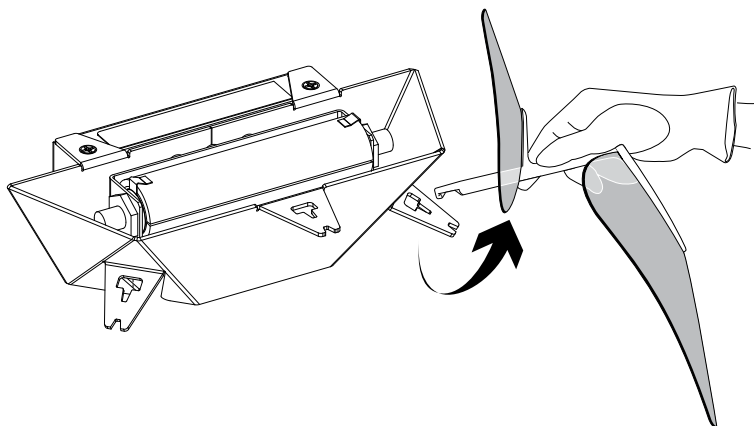
1.



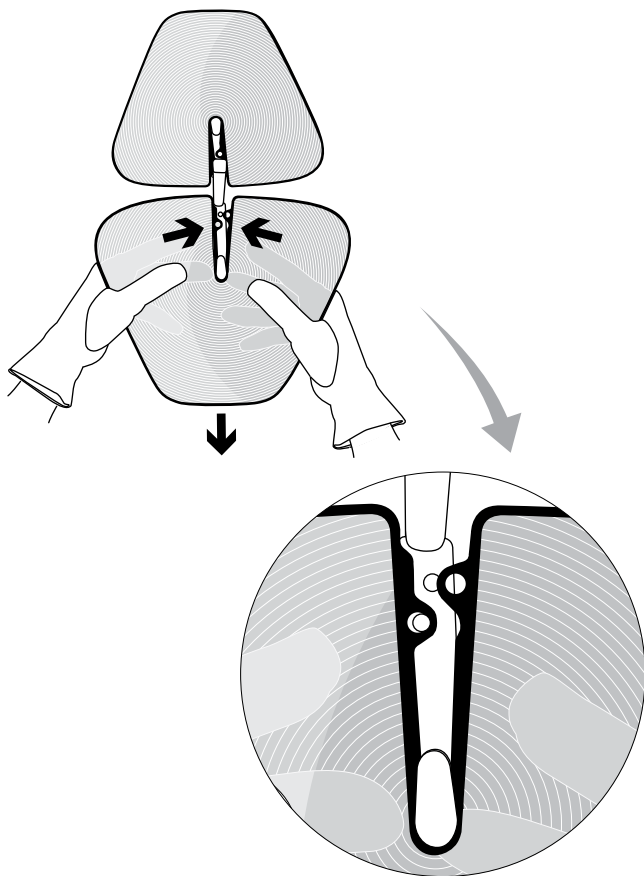
2.



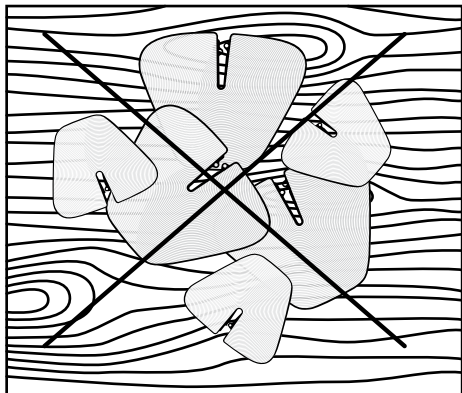
3.



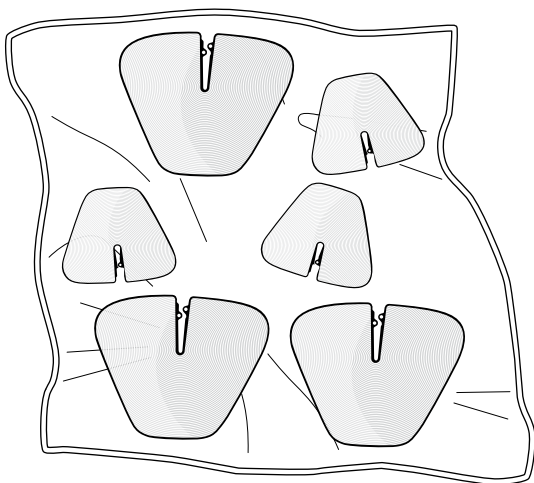
4.2



4.3

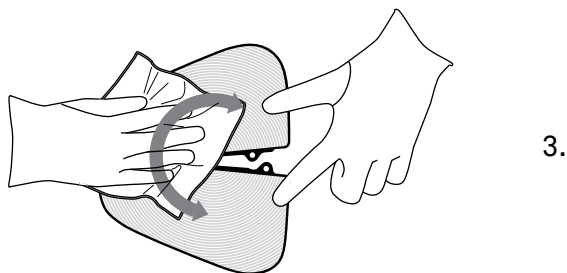
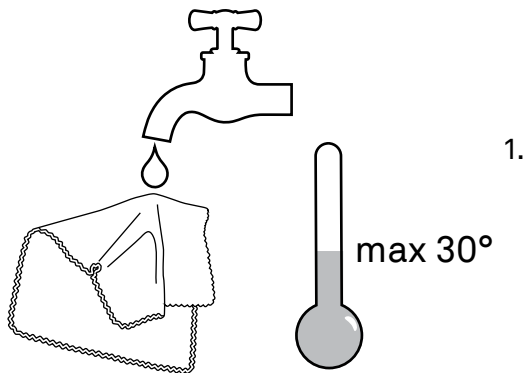


X



✓

4.4



→ 2 |
(p. 19)



www.luceplan.com

D66010203