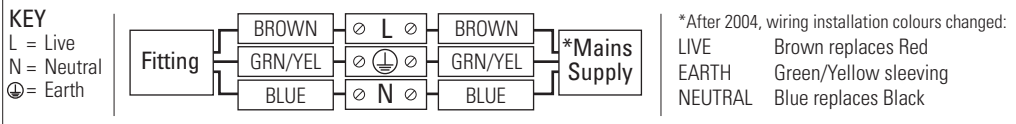


Safety & Installation Instructions

These instructions are provided for your safety in order to prevent the risk of Fire, Electric shock or Injury. It is vitally important that they are read in their entirety before installing your fitting. Please retain for future reference.

1. If you are in any doubt consult a qualified electrician as to the installation of the fitting. Install in accordance with current IEE wiring regulations. It is recommended that this fitting is installed by a qualified electrician.
2. Ensure that the electrical supply is OFF. Disconnect the electrical supply at the fuse-board.
3. If removing an existing fitting first, note all wiring connections: record which of the house wires is connected to the live, neutral and earth terminals.
4. Carefully identify where the supply cable is (and check there are no other cables in the area) to avoid damage to concealed wiring during installation.
5. Position the light where desired ensuring that there is suitable support adjacent to where you will connect to the house supply and mark position of fixing holes, before drilling appropriate holes as below.
 - a. Brick or masonry: Drill holes into which the wall plugs tightly fit, then insert wall plugs.
 - b. Wood: No hole necessary (unless small pilot hole required), screws can be screwed directly into the timber.
 - c. Plaster/Cavity: Special cavity wall fittings are required, rather than provided fixings. These are widely available from good hardware or DIY store and should come with their own instructions that must be followed. It may be easier to relocate the fitting so that you screw directly into a timber joist or beam.
7. Support the fitting so that no strain is applied to the wiring when making the electrical connections. If necessary get a colleague to help.
8. Electrical connection: The supplied IP44 terminal housing must be used if making connection to the main supply within the backplate. THIS FITTING MUST BE EARTHED. Open the terminal housing and make connections following the diagram below. A small flat-head screwdriver is required.



9. Check that no wires are trapped behind, or within the fitting, close the lid of the housing firmly, then secure the cable grips and complete the installation, referring to the Installation diagram inside.
10. Fit the correct type and wattage of lamp (or less). Be careful not to overtighten the lamp.
11. Switch on at the fuse-board. Your light fitting is now ready for use.

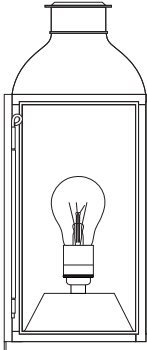
Other Important Information

Switch off at mains before changing lamp(s). Never fit a lamp of greater wattage than recommended. Ensure children do not play with the light fitting. Dispose of old lamps carefully. Never leave a fitting without a lamp in position (or someone can accidentally touch the contacts). Adjust fitting only when power to the fitting is off and has been left to cool. If the electrical flex or electrical components become damaged at any point, power to the fitting should be disconnected immediately and not operated until the damaged parts are fixed/replaced.

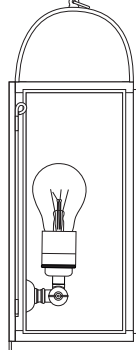
Cleaning and Maintenance

Metal finishes should only be cleaned with a soft, dry cloth. Do not use polishes or abrasives. Switch off power to the fitting before cleaning.

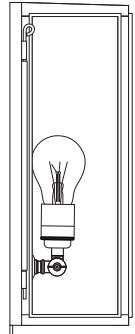
Box Wall Light Instruction Manual



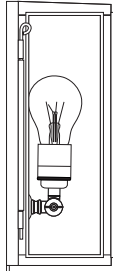
Wall Lantern
0276



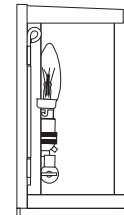
Wall Light
7250



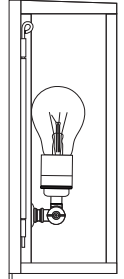
Box Wall Light
Externally Glazed
7642



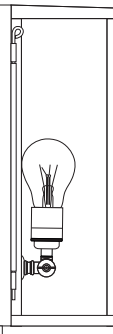
Box Wall Light
Externally Glazed
7641



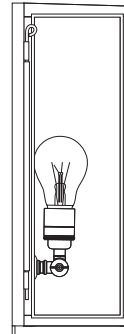
Miniature Box Wall Light
7643



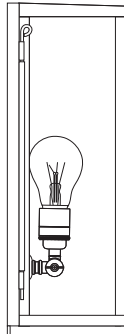
Box Wall Light
Internally Glazed
7644



Box Wall Light
Internally Glazed
7645



Narrow Wall Light
Externally Glazed
7649



Narrow Wall Light
Internally Glazed
7650

Established in 1990, Original BTC manufactures relaxed, familiar lighting for traditional and contemporary homes. All products are hand-assembled in Oxford from high quality components, produced in the UK.

ORIGINALBTC.COM
+44 (0)1993 882 251
UNIT 21 / 22 AVENUE ONE, STATION LANE, WITNEY, OX28 4XZ, ENGLAND



ORIGINAL BTC
BRITISH LIGHTING MANUFACTURERS
LONDON - PARIS



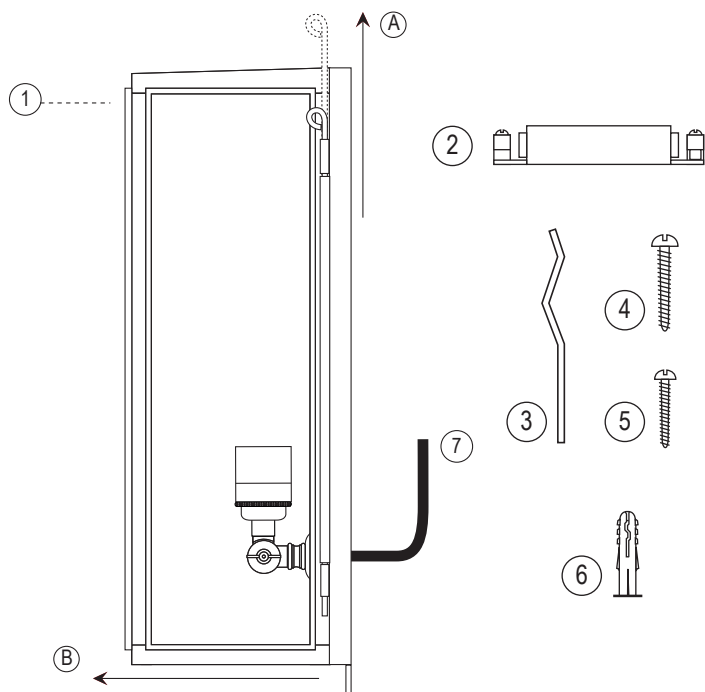
Box Wall Light

| 230V ac 50Hz | IP44

DP0276	Wall Lantern	DP7642	Box Wall Light
DP7250	Wall Light	DP7643	Miniature Box Wall Light
DP7641	Box Wall Light	DP7644	Box Wall Light
DP7645	Box Wall Light Internally Glazed	DP7649	Narrow Box Wall Light
DP7650	Narrow Box Wall Light Internally Glazed		

LAMP GUIDANCE				
PRODUCT	BASE	SHAPE	TYPE*	WATTAGE**
DP0276, DP7250	E27	 GLS BALL	INCANDESCENT ✓	60W MAX
DP7641, DP7645			CFL ✓	15W
DP7650, DP7642			ECO-HALOGEN ✓	28W
DP7644, DP7649			LED ✓	12W
DP7643	SBC	CANDLE	INCANDESCENT ✓	40W MAX
			CFL ✓	11W
			ECO-HALOGEN ✓	28W
			LED ✓	9W

* Warm white (2700k) low energy lamps recommended.
 ** Wattage value provided as a guide to suitable lamps. Lower wattage than stated may be used.



Contents

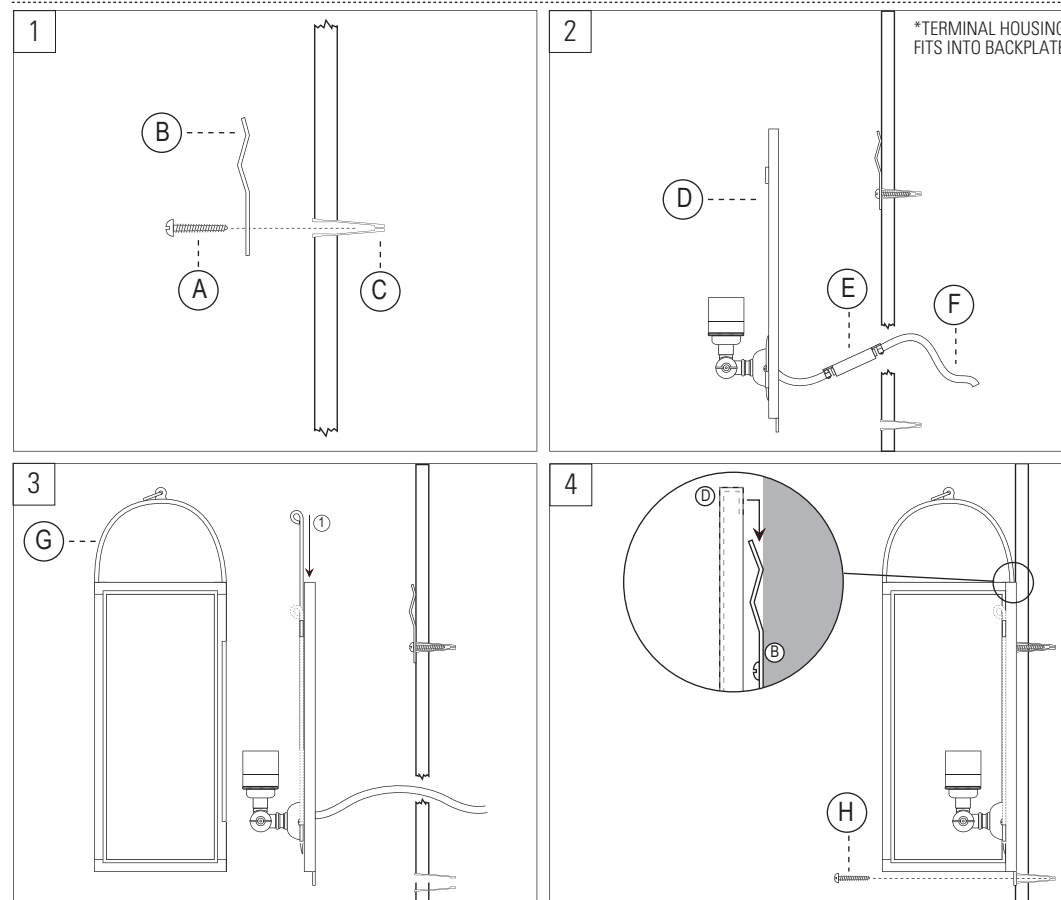
- 1 - Glazed Box light
- 2 - IP44 Terminal Housing
- 3 - Brass fixing bracket
- 4 - 2 x Large fixing screws
- 5 - 2 x Small fixing screws
- 6 - 4 x Rawl plugs
- 7 - Luminaire cable

Required for Installation

- Screwdriver, flat-head
- Small screwdriver, flat-head
- Drill (if holes are required)

A - Remove pin (s) to access interior of light fitting to allow lamp to be fitted

Installation Diagram



Key

A Large Fixing Screw	D Back Plate	G Glazed Box Light
B Fixing Bracket	E Terminal Housing	H Small Fixing Screws
C Rawl Plug	F Mains Supply	

Fixing Instructions

- The box light is secured to the wall using the brass fixing bracket (B).
- The bracket must be positioned with the fixing holes at the bottom.
- Once position has been chosen, mark wall and drill holes (see 6 overleaf), then screw bracket in (using large screws (A)).
- Wire light as described overleaf.
- Place the box light onto the brass fixing bracket(B)- the top should bend forward from the wall, ensuring the lip of the backplate fits into the overhang of the back of the backplate (D)
- Screw the bottom of the box light into the wall (using small screws(H)).
- Attach the glazed front (G) to the backplate using the two long pins (1).