

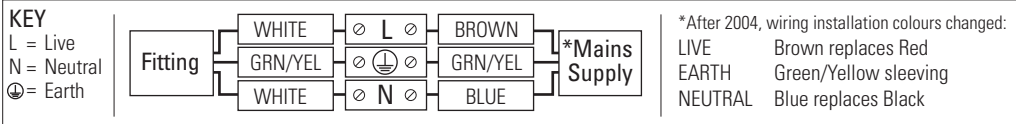
# Safety & Installation Instructions

v1.2-12.17

# SOPRA Ceiling Light Instruction Manual

These instructions are provided for your safety in order to prevent the risk of Fire, Electric shock or Injury. It is vitally important that they are read in their entirety before installing your fitting. Please retain for future reference.

1. If you are in any doubt consult a qualified electrician as to the installation of the fitting. Install in accordance with current IEE wiring regulations. It is recommended that this fitting is installed by a qualified electrician.
2. Ensure that the electrical supply is OFF. Disconnect the electrical supply at the fuse-board.
3. If removing an existing fitting first, note all wiring connections: record which of the house wires is connected to the live, neutral and earth terminals.
4. Carefully identify where the supply cable is (and check there are no other cables in the area) to avoid damage to concealed wiring during installation.
5. This fitting is designed to be installed into a plasterboard ceiling between 10-15mm thick. Ensure the location for installing your light has sufficient recess depth (120mm).
6. Use a hole cutter to cut an 86mm diameter hole for the Sopra housing.
7. Ensure there is no insulation material or joists in the ceiling void closer than 150mm to the fitting.
8. If you are installing the fitting into a ceiling where there is a floor above, an intrumescent firehood must be used to fire rate the downlight. Refer to fire regs relevant to your building for further information.
9. Electrical connection: this light fitting must be earthed. Make connections using the connector block, following the diagram below. A small flat-head screwdriver is required.



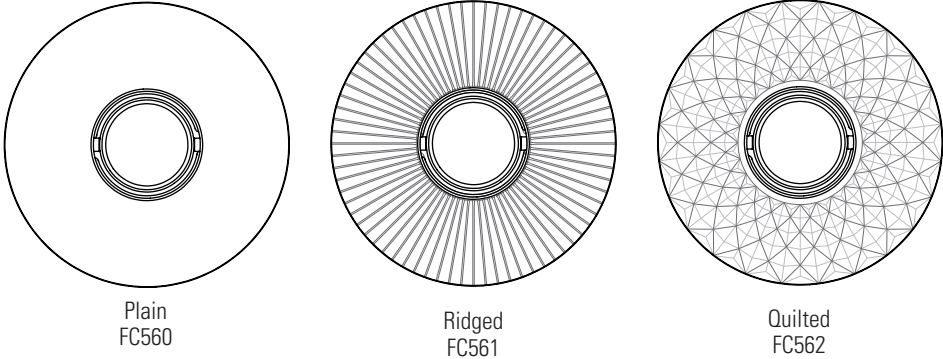
10. Double check all the connections are secure and that no loose strands of wire are left out of the connector. Close the enclosure to insulate the connections.
11. Check that no wires are trapped behind or within the fitting and complete the installation, see hanging instructions inside.
12. Fit the correct type and wattage of lamp (or less). Be careful not to overtighten the lamp.
13. Switch on at the fuse-board. Your light fitting is now ready for use.

### Other Important Information

Switch off at mains before changing lamp(s). Never fit a lamp of greater wattage than recommended. Ensure children do not play with the light fitting. Dispose of old lamps carefully. Never leave a fitting without a lamp in position (or someone can accidentally touch the contacts). Adjust fitting only when power to the fitting is off and has been left to cool. If the electrical flex or electrical components become damaged at any point, power to the fitting should be disconnected immediately and not operated until the damaged parts are fixed/replaced. For use in a dry, indoor environment only. Ensure the fitting does not come into contact with any liquids.

### Cleaning and Maintenance

Metal finishes should only be cleaned with a soft, dry cloth. Do not use polishes or abrasives. Bone china can be cleaned by hand, using a soft damp cloth with a diluted mild detergent (nonabrasive) if necessary. Switch off power to the fitting before cleaning.



Established in 1990, Original BTC manufactures relaxed, familiar lighting for traditional and contemporary homes. All products are hand-assembled in Oxford from high quality components, produced in the UK.

ORIGINALBTC.COM  
+44 (0)1993 882 251  
UNIT 21 / 22 AVENUE ONE, STATION LANE, WITNEY, OX28 4XZ, ENGLAND





**ORIGINAL BTC**  
BRITISH LIGHTING MANUFACTURERS  
LONDON - NEW YORK - PARIS



# SOPRA Ceiling Light

| 230V ac 50Hz | IP20 |

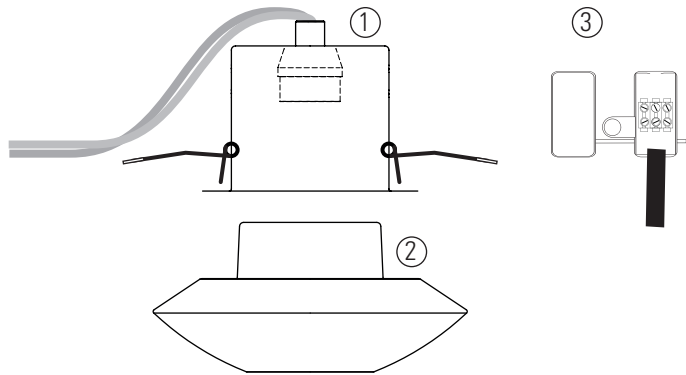
FC560 Sopra Plain  
 FC561 Sopra Ridged  
 FC562 Sopra Quilted

LAMP GUIDANCE			
BASE	SHAPE	TYPE*	WATTAGE**
 GU10	 PAR16	HALOGEN ✓ LED ✓	35W MAX 10W

\* Warm white (2700k) low energy lamps recommended  
 \*\* Wattage value provided as a guide to suitable lamps. Lower wattage than stated may be used.

PLEASE READ THE INSTRUCTIONS ON THE REVERSE BEFORE YOU BEGIN INSTALLING YOUR LIGHT

## Contents



### Contents

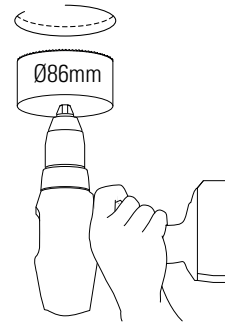
- 1 Recess housing
- 2 Shade
- 3 Connector block

### Tools Required

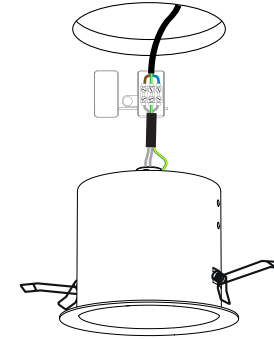
- Drill w/ hole cutter, or saw

## Installation Diagram

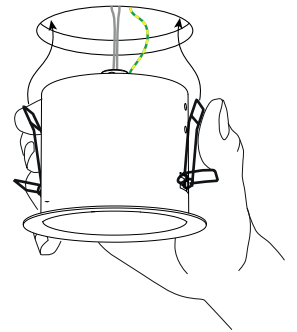
1. Cut hole



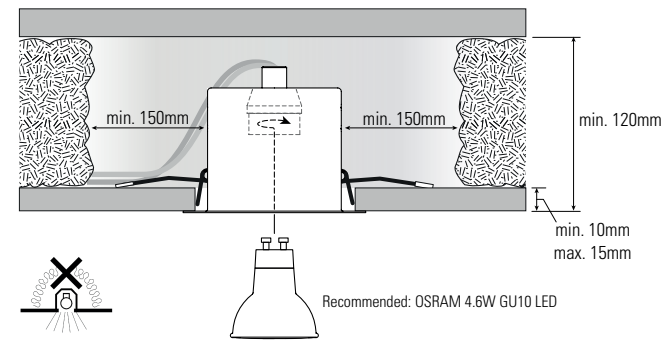
2. Make electrical connection (see point 9 overleaf)



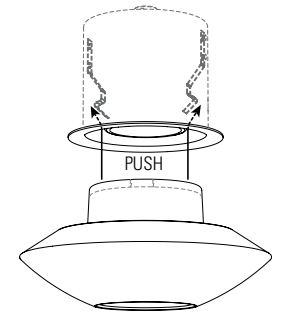
3. Insert housing



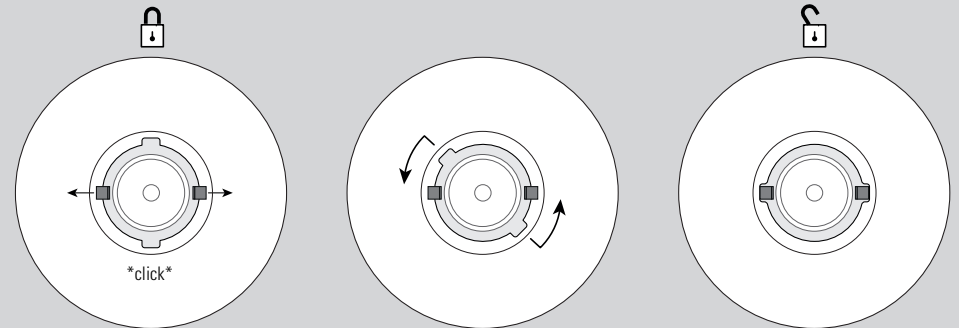
4. Ensure housing is inserted as shown. Insert lamp.



5. Insert shade



### VIEW FROM BOTTOM



Ensure the internal spring clips fully engage onto the lip of the shade

To change the bulb, release the shade by twisting until the notches align with the spring clips