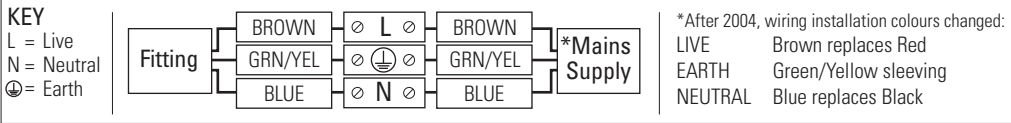


Safety & Installation Instructions

These instructions are provided for your safety in order to prevent the risk of Fire, Electric shock or Injury. It is vitally important that they are read in their entirety before installing your fitting. Please retain for future reference.

1. If you are in any doubt consult a qualified electrician as to the installation of the fitting. Install in accordance with current IEE wiring regulations. It is recommended that this fitting is installed by a qualified electrician.
2. Ensure that the electrical supply is OFF. Disconnect the electrical supply at the fuse-board.
3. If removing an existing fitting first, note all wiring connections: record which of the house wires is connected to the live, neutral and earth terminals.
4. Carefully identify where the supply cable is (and check there are no other cables in the area) to avoid damage to concealed wiring during installation.
5. Position the light where desired ensuring that there is suitable support adjacent to where you will connect to the house supply and mark position of fixing holes, before drilling appropriate holes as below.
6.
 - a. Brick or masonry: Drill holes into which the wall plugs tightly fit, then insert wall plugs.
 - b. Wood: No hole necessary (unless small pilot hole required), screws can be screwed directly into the timber.
 - c. Plaster/Cavity: Special cavity wall fittings are required, rather than provided fixings. These are widely available from good hardware or DIY store and should come with their own instructions that must be followed. It may be easier to relocate the fitting so that you screw directly into a timber joist or beam.
7. Support the fitting so that no strain is applied to the wiring when making the electrical connections. If necessary get a colleague to help.
8. Electrical connection: this light fitting must be earthed. Make connections following the diagram below. A small flat-head screwdriver is required.



9. Double check all the connections are secure and that no loose strands of wire are left out of the connector, Use a good quality electrical insulation tape to cover the connector blocks and at least 25mm of the cables going in to either end of the connectors.
10. Check that no wires are trapped behind or within the fitting and complete the installation, referring to the Installation diagram inside.
11. Fit the correct type and wattage of lamp (or less). Be careful not to overtighten the lamp.
12. Switch on at the fuse-board. Your light fitting is now ready for use.

Other Important Information

Switch off at mains before changing lamp(s). Never fit a lamp of greater wattage than recommended. Ensure children do not play with the light fitting. Dispose of old lamps carefully. Never leave a fitting without a lamp in position (or someone can accidentally touch the contacts). Adjust fitting only when power to the fitting is off and has been left to cool. If the electrical flex or electrical components become damaged at any point, power to the fitting should be disconnected immediately and not operated until the damaged parts are repaired/replaced. For use in a dry, indoor environment only. Ensure the fitting does not come into contact with any liquids.

Cleaning and Maintenance

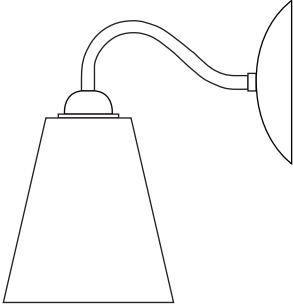
Metal finishes should only be cleaned with a soft, dry cloth. Do not use polishes or abrasives. Bone china can be cleaned by hand, using a soft damp cloth with a diluted mild detergent (nonabrasive) if necessary. Switch off power to the fitting before cleaning. Spare parts are available for this product, please contact us on the details below.

Established in 1990, Original BTC manufactures relaxed, familiar lighting for traditional and contemporary homes. All products are hand-assembled in Oxford from high quality components, produced in the UK.

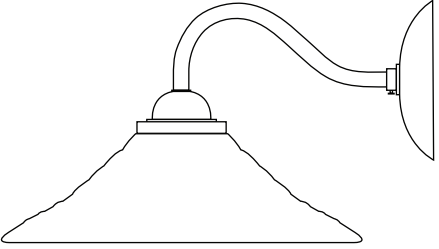
ORIGINALBTC.COM
 +44 (0)1993 882 251
 UNIT 21 / 22 AVENUE ONE, STATION LANE, WITNEY, OX28 4XZ, ENGLAND



Swan & Skio Wall Light Instruction Manual



Swan Wall Light, Natural
FW213N



Skio Wall Light, Natural
FW313N

ORIGINAL BTC
 BRITISH LIGHTING MANUFACTURERS
 LONDON - NEW YORK - PARIS



Swan & Skio Wall Light

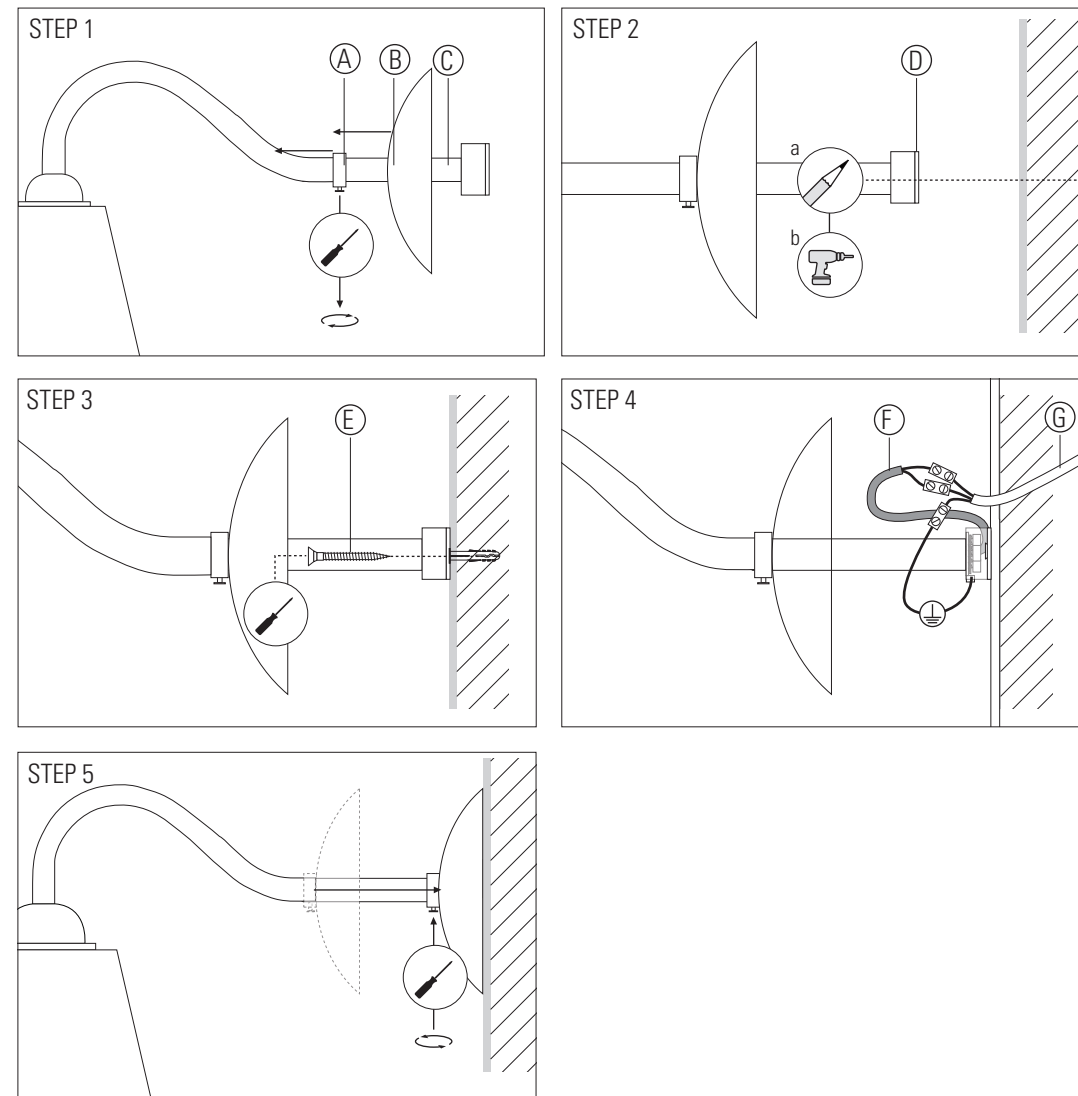
| 230V ac 50Hz | IP20

FW213 Swan Wall Light
FW313 Skio Wall Light

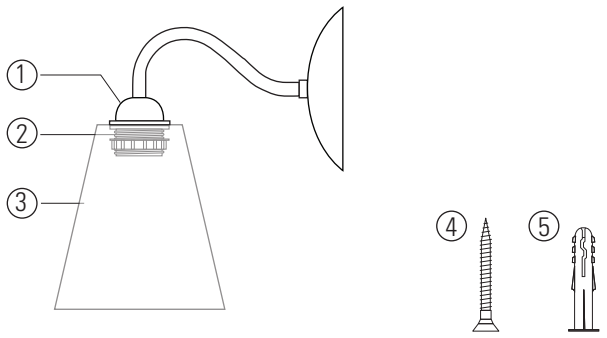
LAMP GUIDANCE Swan Wall				
BASE	SHAPE*	TYPE**	WATTAGE***	
E14	CANDLE BALL R50	INCANDESCENT (R50 only)	✓	40W MAX
		CFL	✓	9W
		ECO-HALOGEN	✗	n/a
		LED	✓	7W
LAMP GUIDANCE Skio Wall Light				
BASE	SHAPE	TYPE**	WATTAGE***	
E27	GLS BALL	INCANDESCENT (GLS only)	✓	40W MAX
		CFL	✓	9W
		ECO-HALOGEN	✗	n/a
		LED	✓	7W

* Use low energy CFL or LED candle/ball lamp for a combination of ambient and low level task lighting or R50 lamp if high level task illumination required.
 ** Warm white (2700k) low energy lamps recommended.
 *** Wattage value provided as a guide to suitable lamps. Lower wattage than stated may be used.

Installation Diagram



- Key**
- A Slip Ring
 - B Backplate
 - C Stem
 - D Fixing Bracket
 - E Fixing screws
 - F Luminaire Cable
 - G Main Supply



- Contents**
- 1 - Base plate/stem/lampholder
 - 2 - Shade ring
 - 3 - Shade
 - 4 - 2 x fixing screws
 - 5 - 2 x rawl plugs
- Required for Installation**
- Screwdriver, cross-head
 - Small screwdriver, flat-head
 - Drill (if holes are required)

PLEASE READ THE INSTRUCTIONS ON THE REVERSE BEFORE YOU BEGIN INSTALLING YOUR LIGHT

Installation and Assembly Instructions

This product is made from Fine Bone China; take care when handling this product during installation. Excessive force can cause damages or breakages.
 Refer to diagrams on opposite page.

STEP 1 Release the grub screw on the 'slip ring' (A), then slide with backplate (B) along stem (C).

STEP 2 Mark fixing holes through bracket (D) before drilling holes, see point 5 and 6 on reverse.

STEP 3 Screw bracket to wall.

STEP 4 Make electrical connection, see points 7 to 10 on reverse page.

STEP 5 Slide china base plate over bracket so it meets the wall, then secure by tightening screw on slip ring.