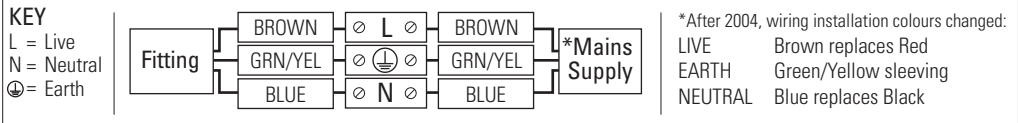


Safety & Installation Instructions

v1.1-05.19

These instructions are provided for your safety in order to prevent the risk of Fire, Electric shock or Injury. It is vitally important that they are read in their entirety before installing your fitting. Please retain for future reference.

1. If you are in any doubt consult a qualified electrician as to the installation of the fitting. Install in accordance with current IEE wiring regulations. It is recommended that this fitting is installed by a qualified electrician.
2. This is an IP44 rated fitting and may therefore be installed in zone 1 or 2 of a bathroom, unless there is a likelihood of water jets being used for cleaning purposes. All final circuits in a bathroom require 30mA RCD protection.
3. Ensure that the electrical supply is OFF. Disconnect the electrical supply at the fuse-board.
4. If removing an existing fitting first, note all wiring connections: record which of the house wires is connected to the live, neutral and earth terminals.
5. Carefully identify where the supply cable is (and check there are no other cables in the area) to avoid damage to concealed wiring during installation.
6. Position the light where desired ensuring that there is suitable support adjacent to where you will connect to the house supply and mark position of fixing holes, before drilling appropriate holes as below.
7. a. Brick or masonry: Drill holes into which the wall plugs tightly fit, then insert wall plugs.
 b. Wood: No hole necessary (unless small pilot hole required), screws can be screwed directly into the timber.
 c. Plaster/Cavity: Special cavity wall fittings are required, rather than provided fixings. These are widely available from good hardware or DIY store and should come with their own instructions that must be followed. It may be easier to relocate the fitting so that you screw directly into a timber joist or beam.
8. Support the fitting so that no strain is applied to the wiring when making the electrical connections. If necessary get a colleague to help.
9. Electrical connection: this light fitting must be earthed. Make connections following the diagram below. A small flat-head screwdriver is required.



10. Double check all the connections are secure and that no loose strands of wire are left out of the connector. Ensure the lid of the terminal block is closed securely after making the connections.
11. Check that no wires are trapped behind or within the fitting and complete the installation, referring to the Installation diagram inside.
12. Fit the correct type and wattage of lamp (or less). Be careful not to overtighten the lamp.
13. Switch on at the fuse-board. Your light fitting is now ready for use.

Other Important Information

Switch off at mains before changing lamp(s). Never fit a lamp of greater wattage than recommended. Ensure children do not play with the light fitting. Dispose of old lamps carefully. Never leave a fitting without a lamp in position (or someone can accidentally touch the contacts). Adjust fitting only when power to the fitting is off and has been left to cool. If the electrical flex or electrical components become damaged at any point, power to the fitting should be disconnected immediately and not operated until the damaged parts are fixed/replaced. For indoor, bathroom or outdoor (IP44 suitable area) use.

Cleaning and Maintenance

Metal finishes should only be cleaned with a soft, dry cloth. Do not use polishes or abrasives. Glass and bone china can be cleaned by hand, using a soft damp cloth with a diluted mild detergent (nonabrasive), or suitable glass cleaner if necessary. Switch off power to the fitting before cleaning. Spare parts are available for this product, please contact us on the details below.

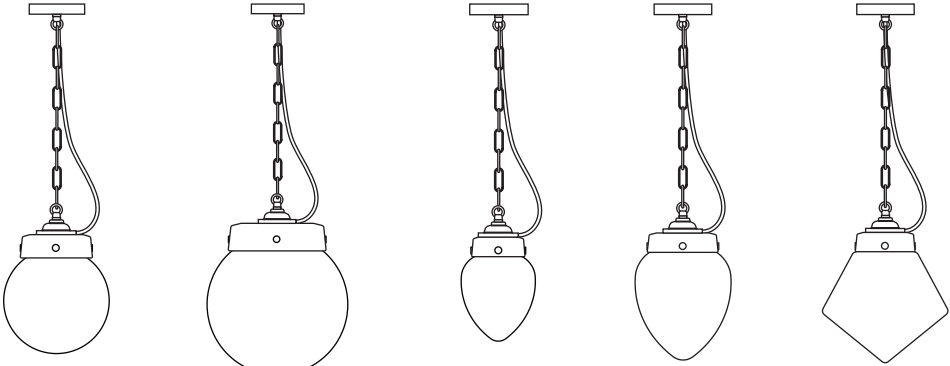
Established in 1990, Original BTC manufactures relaxed, familiar lighting for traditional and contemporary homes. All products are hand-assembled in Oxford from high quality components, produced in the UK.

ORIGINALBTC.COM
 +44 (0)1993 882 251
 UNIT 21 / 22 AVENUE ONE, STATION LANE, WITNEY, OX28 4XZ, ENGLAND



Glass Pendants 8300/S 8300/M 8350/S 8350/M 8400

Instruction Manual





Hampton Pendant Size 1 8300/S Hampton Pendant Size 2 8300/M Pine Pendant Size 1 8350/S Pine Pendant Size 2 8350/M Point Pendant 8400

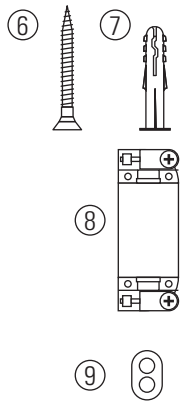
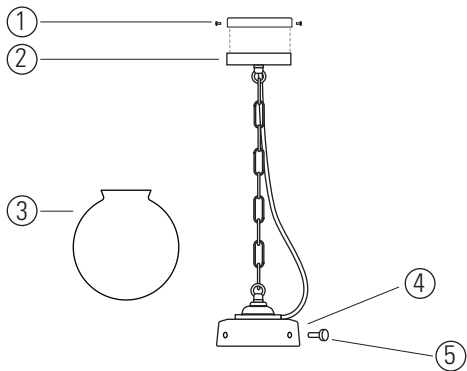
ORIGINAL BTC
 BRITISH LIGHTING MANUFACTURERS
 LONDON - PARIS



Glass Pendants 8300/S 8300/M 8350/S 8350/M 8400 | 230V ac 50Hz | IP44

LAMP GUIDANCE			
BASE	SHAPE	TYPE*	WATTAGE**
E27	 	INCANDESCENT ✓	60W MAX
		CFL ✓	15W
		ECO-HALOGEN ✓	42W
		LED ✓	10W

* Warm white (2700k) low energy lamps recommended.
 ** Wattage value provided as a guide to suitable lamps. Lower wattage than stated may be used.



Contents

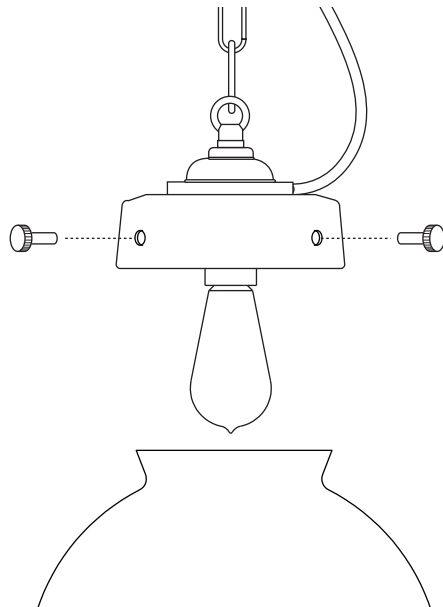
- 1 - Ceiling plate backplate
- 2 - Ceiling rose
- 3 - Shade
- 4 - Gallery fitting
- 5 - 3 x Gallery screws
- 6 - 2 x fixing screws
- 7 - 2 x rawl plugs
- 8 - Terminal block
- 9 - Cord grip

Required for Installation

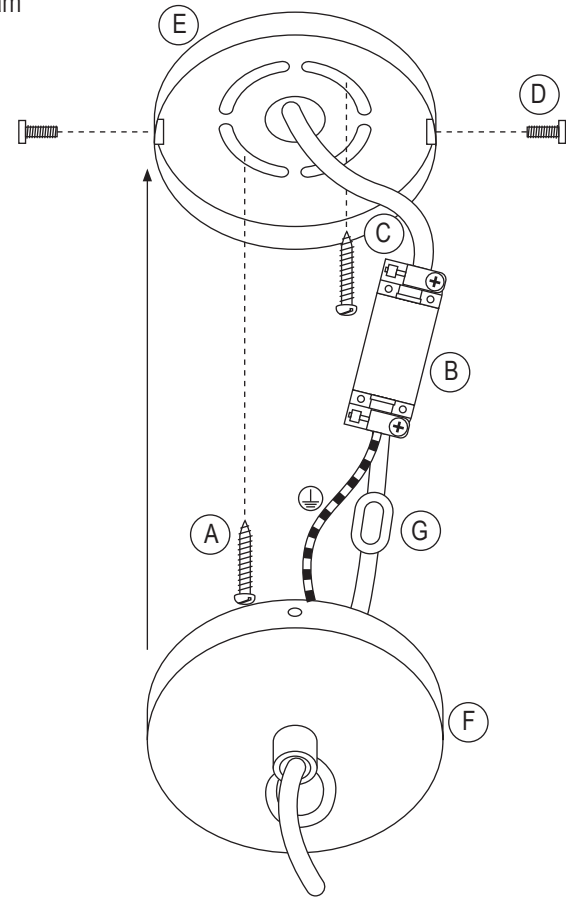
- Screwdriver, flat-head
- Small screwdriver, flat-head
- Drill (if holes are required)

Bulb replacement

- To access the bulb, unscrew the 3 thumb screws, whilst supporting the glass shade from below.
- Gently lower the glass to reveal the bulb.
- Replace the bulb
- Refit the glass shade by carefully locating it in the gallery. Gently screw in the gallery screws, turning each one equally. **DO NOT OVERTIGHTEN THEM**



Installation Diagram



- | | |
|---|--------------------|
| A | FIXING SCREWS |
| B | CONNECTOR BLOCK |
| C | MAINS SUPPLY |
| D | GALLERY SCREWS |
| E | FIXING BASE PLATE |
| F | FIXING PLATE COVER |
| G | CORD GRIP |

Hanging Instructions

The first step is to wire the light to the mains supply.

- Work out the drop of the light, ensuring there is slack in the cable (See point 3 over-leaf to adjust cable and chain length).
- Screw the fixing base plate to the ceiling (ensure main supply cable has been inserted through the central hole first).
- Insert the cable from the pendant through the hook of the fixing plate cover, then wire to the mains as described overleaf.

With the lamp wired, the fixing plate cover can then be attached to the fixing base plate using the gallery screws (ensure pendant is supported at this point so as not to pull on connections).

PLEASE READ THE INSTRUCTIONS ON THE REVERSE BEFORE YOU BEGIN INSTALLING YOUR LIGHT