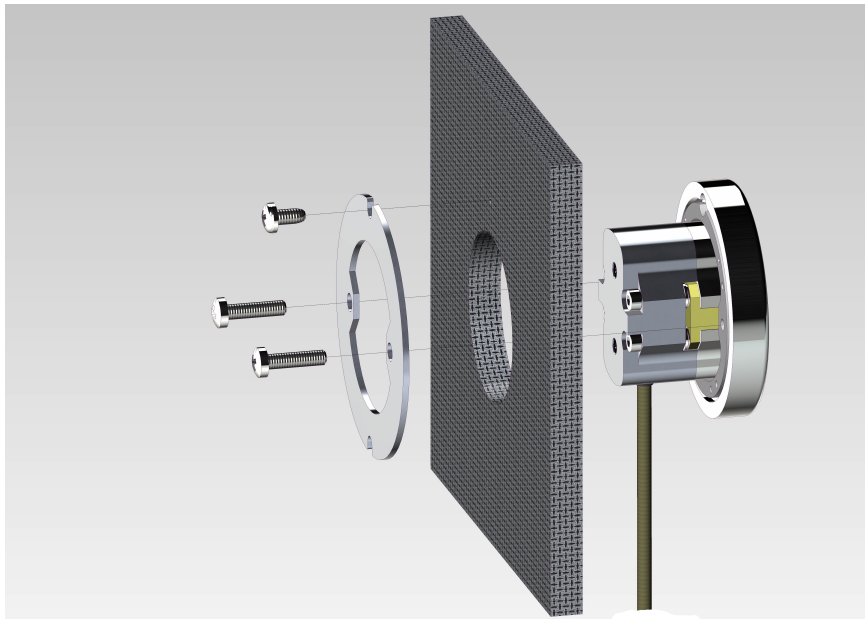
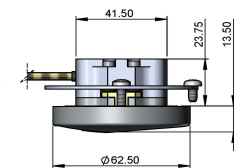




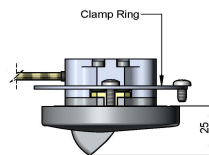
STRATUS



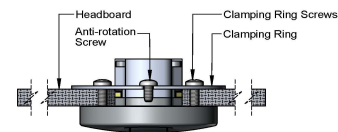
STRATUS MOUNTING



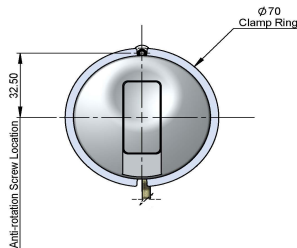
LIGHT LENS FULLY CLOSED
Dimensions in mm



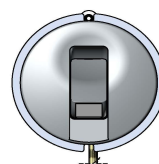
LIGHT LENS FULLY OPEN
Dimensions in mm



LIGHT INSTALLED



LIGHT LENS FULLY CLOSED
Dimensions in mm



LIGHT LENS FULLY OPEN
Dimensions in mm



RECOMMENDED APERTURE SIZE FOR INSTALLATION

DESCRIPTION

The Stratus light has a central 'toggle' that is depressed to switch the light on and can be rotated for positioning. It uses 1.4watts of energy and requires a 12v DC power supply.

Tel 44 (0)1993 868866 Fax44(0)1993 868894

contact@beadlight.com www.beadlight.com

European Community Registered Design No. 001850777 – 0001

Beadlight (Patent GB2392488) (GB2418011) US Patent 7,220,025, US Patent 7,753,563B2

Corresponding foreign patents & patents pending.

Drawings and specifications subject to change without notice. Measurements are for illustrative purposes only.