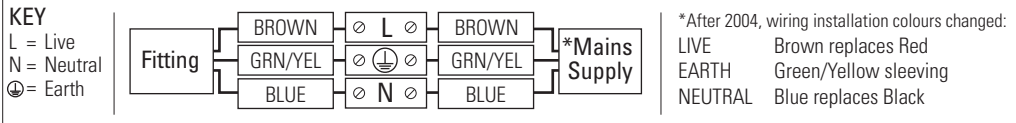


Safety & Installation Instructions

v1.2-08.20

These instructions are provided for your safety in order to prevent the risk of Fire, Electric shock or Injury. It is vitally important that they are read in their entirety before installing your fitting. Please retain for future reference.

1. If you are in any doubt consult a qualified electrician as to the installation of the fitting. Install in accordance with current IEE wiring regulations. It is recommended that this fitting is installed by a qualified electrician.
2. This is an IP44 rated fitting and may therefore be installed in zone 1 or 2 of a bathroom, unless there is a likelihood of water jets being used for cleaning purposes. All final circuits in a bathroom require 30mA RCD protection.
3. Ensure that the electrical supply is OFF. Disconnect the electrical supply at the fuse-board.
4. If removing an existing fitting first, note all wiring connections: record which of the house wires is connected to the live, neutral and earth terminals.
5. Carefully identify where the supply cable is (and check there are no other cables in the area) to avoid damage to concealed wiring during installation.
6. Position the light where desired ensuring that there is suitable support adjacent to where you will connect to the house supply and mark position of fixing holes, before drilling appropriate holes as below.
7. a. Brick or masonry: Drill holes into which the wall plugs tightly fit, then insert wall plugs.
b. Wood: No hole necessary (unless small pilot hole required), screws can be screwed directly into the timber.
c. Plaster/Cavity: Special cavity wall fittings are required, rather than provided fixings. These are widely available from good hardware or DIY store and should come with their own instructions that must be followed. It may be easier to relocate the fitting so that you screw directly into a timber joist or beam.
8. Support the fitting so that no strain is applied to the wiring when making the electrical connections. If necessary get a colleague to help.
9. Electrical connection: this light fitting must be earthed. Make connections following the diagram below. A small flat-head screwdriver is required.



10. Double check all the connections are secure and that no loose strands of wire are left out of the connector. Ensure the lid of the connector is closed securely after making the connections.
11. Check that no wires are trapped behind or within the fitting and complete the installation, referring to the Installation diagram inside. If installed in a damp location seal the backplate with a thin bead of silicone.
12. Fit the correct type and wattage of lamp (or less). Be careful not to overtighten the lamp.
13. Switch on at the fuse-board. Your light fitting is now ready for use.

Other Important Information

Switch off at mains before changing lamp(s). Never fit a lamp of greater wattage than recommended. Ensure children do not play with the light fitting. Dispose of old lamps carefully. Never leave a fitting without a lamp in position (or someone can accidentally touch the contacts). Adjust fitting only when power to the fitting is off and has been left to cool. If the external flexible cable or cord of this luminaire is damaged, it shall be exclusively replaced by the manufacturer or his service agent or a similar qualified person in order to avoid a hazard. For indoor, bathroom or outdoor (IP44 suitable area) use.

Cleaning and Maintenance

Metal finishes should only be cleaned with a soft, dry cloth. Do not use polishes or abrasives. Glass can be cleaned by hand, using a soft damp cloth with a diluted mild detergent (nonabrasive), or suitable glass cleaner if necessary. Switch off power to the fitting before cleaning. Spare parts are available for this product, please contact us on the details below.

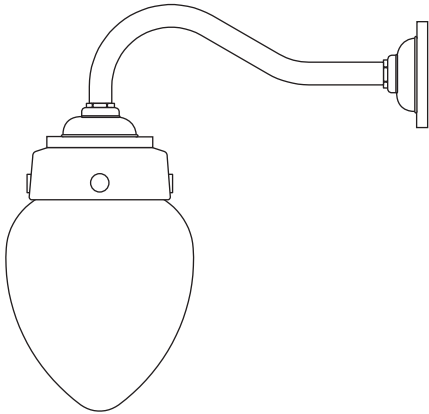
Established in 1990, Original BTC manufactures relaxed, familiar lighting for traditional and contemporary homes. All products are hand-assembled in Oxford from high quality components, produced in the UK.

ORIGINALBTC.COM
+44 (0)1993 882 251
UNIT 21 / 22 AVENUE ONE, STATION LANE, WITNEY, OX28 4XZ, ENGLAND

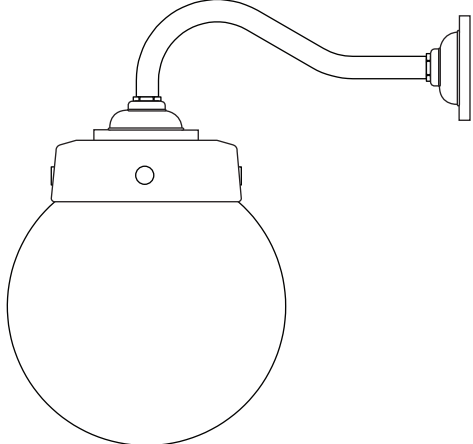


Glass Wall Light 8350/S/BRKT, 8300/S/BRKT

Instruction Manual



8350/S/BRKT






8300/S/BRKT

ORIGINAL BTC
BRITISH LIGHTING MANUFACTURERS
LONDON - PARIS

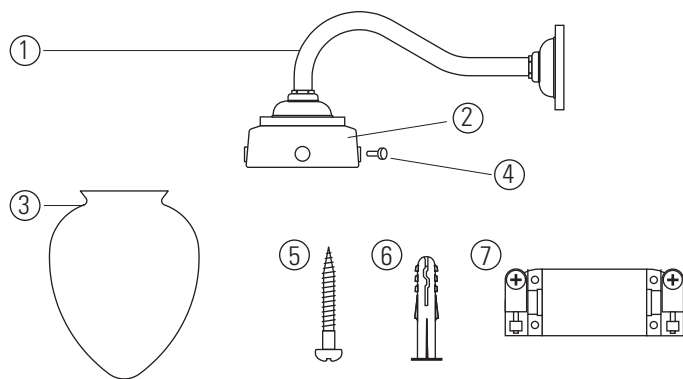


Glass Wall Light 8350/S/BRKT, 8300/S/BRKT | 230V ac 50Hz | IP44

DP8350/S/BRKT Glass York Wall Light, Size 1
 DP8300/S/BRKT Glass Hampton Wall Light, Size 1

| LAMP GUIDANCE | | | | | | |
|---|--|---|--------------|---|---------|---------|
| BASE | SHAPE | TYPE* | WATTAGE** | | | |
| | | | 8350 | | 8300 | |
|  E27 |  GLS |  BALL | INCANDESCENT | ✓ | 40W MAX | 60W MAX |
| | | | CFL | ✓ | 11W | 13W |
| | | | ECO-HALOGEN | ✗ | n/a | n/a |
| | | | LED | ✓ | 8W | 10W |

* Warm white (2700k) low energy lamps recommended.
 ** Wattage value provided as a guide to suitable lamps. Lower wattage than stated may be used.



Contents

- 1 - Base plate/stem
- 2 - Gallery Fixing
- 3 - Glass Shade
- 4 - 3 x gallery screws
- 5 - 2 x fixing screws
- 6 - 2 x rawl plugs
- 7 - Connector block

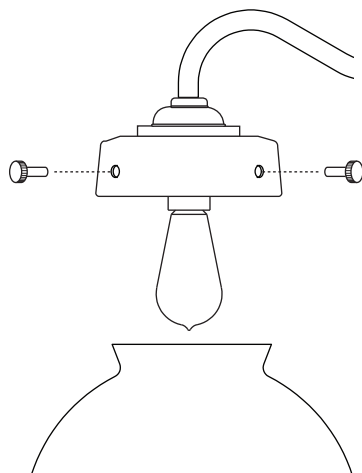
Required for Installation

- Screwdriver, flat-head
- Small screwdriver, flat-head
- Drill (if holes are required)

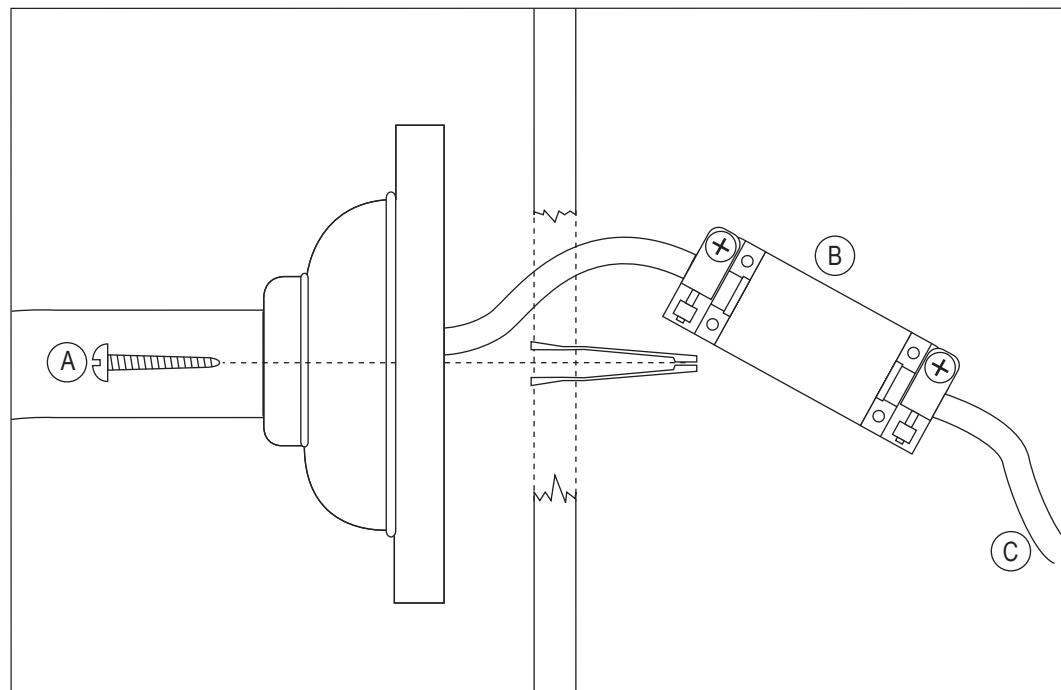
PLEASE READ THE INSTRUCTIONS ON THE REVERSE BEFORE YOU BEGIN INSTALLING YOUR LIGHT

Bulb replacement

- To access the bulb, unscrew the 3 thumb screws, whilst supporting the glass shade from below.
- Gently lower the glass to reveal the bulb.
- Replace the bulb
- Refit the glass shade by carefully locating it in the gallery. Gently screw in the gallery screws, turning each one equally. DO NOT OVERTIGHTEN THEM



Installation Diagram



Key

A Fixing Screw B Connector Block C Main Supply

This product is made from bone china and hand blown glass; take care when handling this product during installation. Excessive force can cause damages or breakages.

Installation and Assembly Instructions

Refer to diagram above and on opposite page.

STEP 1

Mark fixing holes through wall plate before drilling holes, see points 5 to 7 on the reverse.

STEP 2

Make electrical connection, see points 8 to 11 on reverse page.

STEP 3

Screw base plate to wall, taking care not to damage finish of the backplate.

STEP 4

Offer up the glass to the ceramic gallery, then gently screw in the gallery screws, turning each one equally until the shade has been secured in the gallery- DO NOT OVERTIGHTEN

STEP 5

If this light is being installed in an exterior or bathroom location, a suitable silicone sealant should be applied around the backplate where it meets the mounting surface, to prevent moisture ingress into the fitting. IP rated only when fitting is installed as show in diagram (glass facing downward).