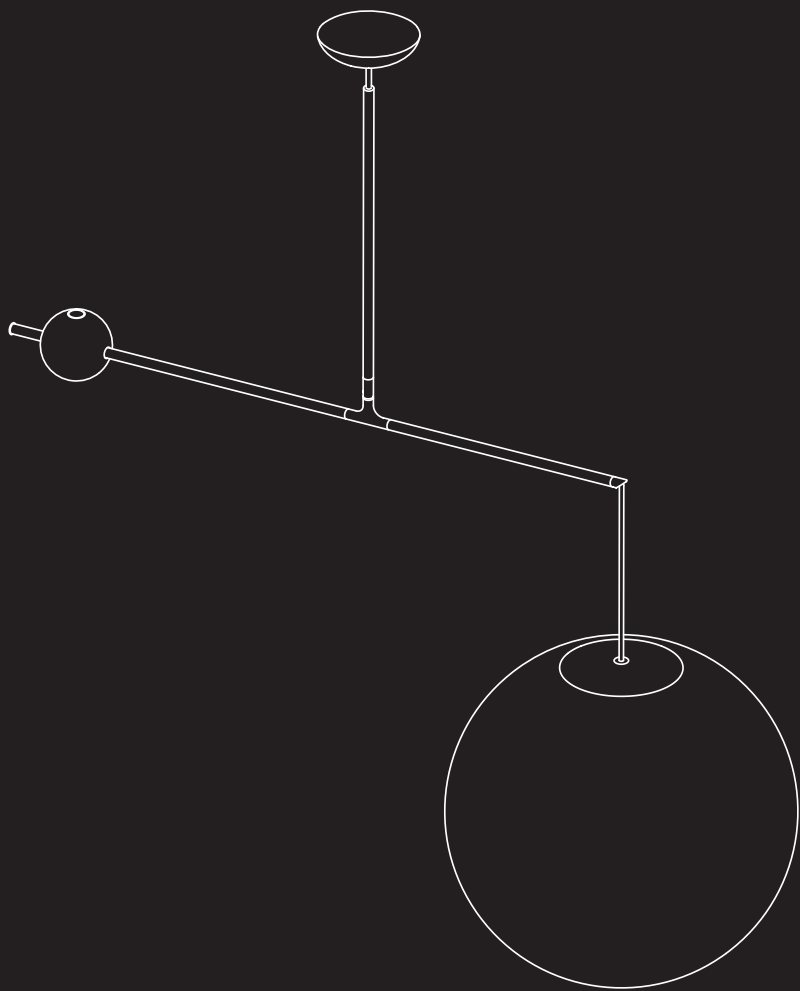


MALAMATA SUSPENSION

design Schulab



**LUCE
PLAN**

B01

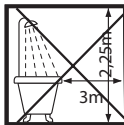


B01S22 - B01S48

01



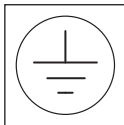
02



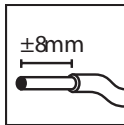
06



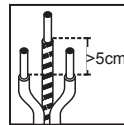
11



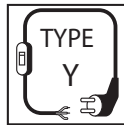
14



15



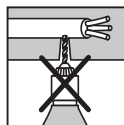
18



29



34



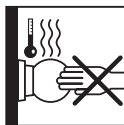
35



36



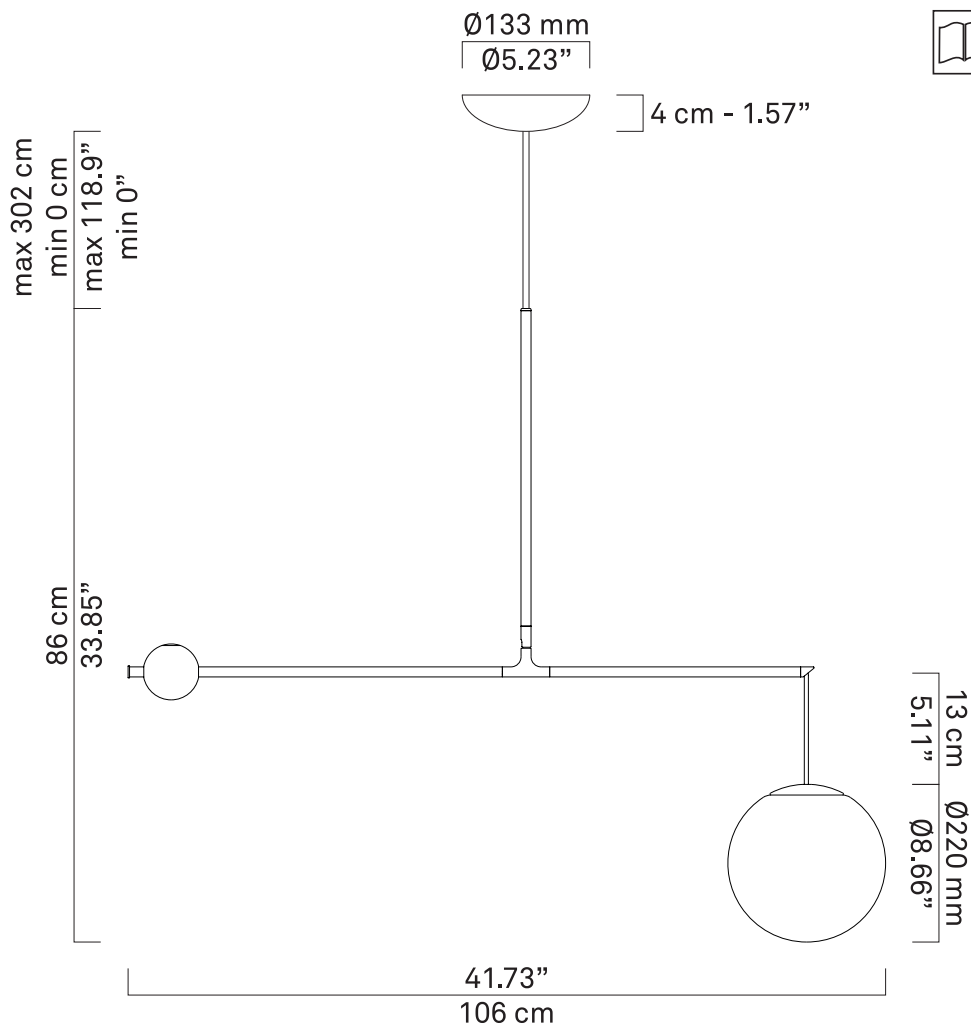
37



38



B01S22



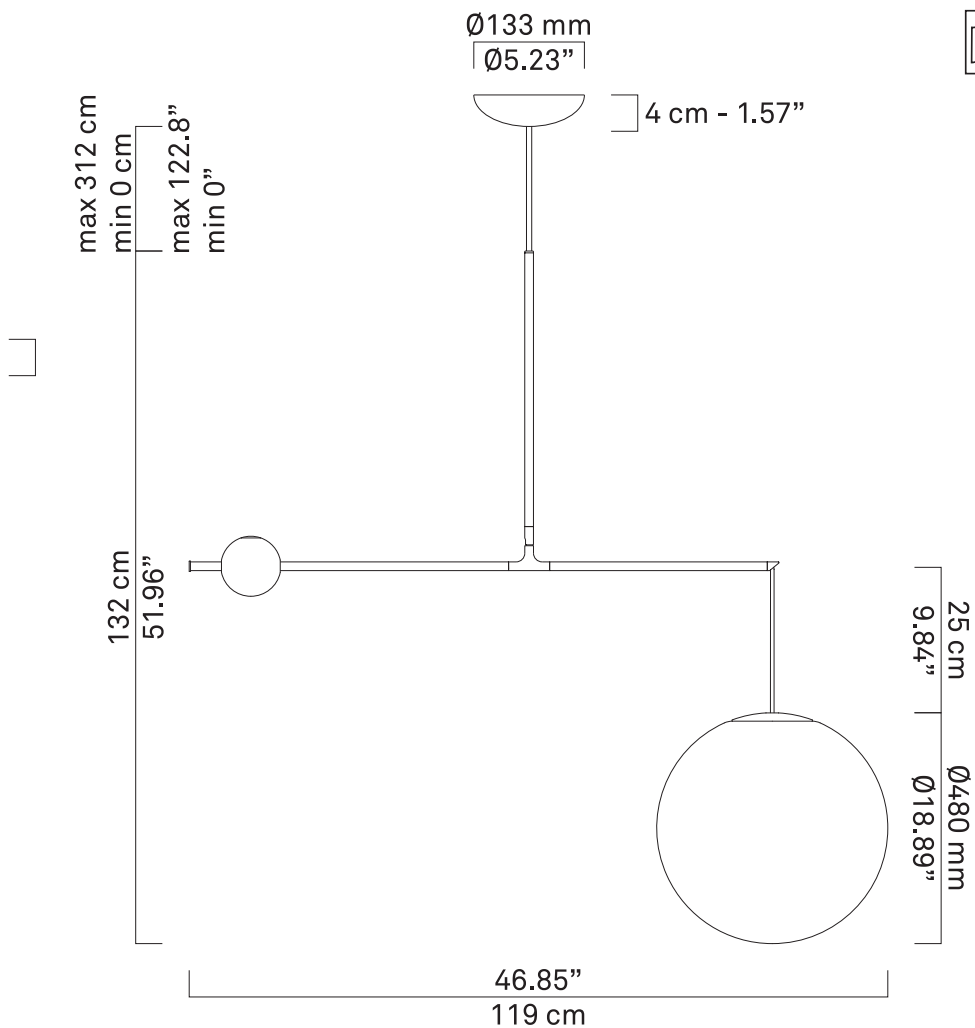
kg 4 kg

lb 8.8 lb



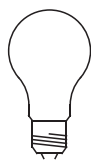
LED E14
max $\text{Ø}40 \text{ mm}$
max $\text{Ø}1.57''$

B01S48



kg 10 kg

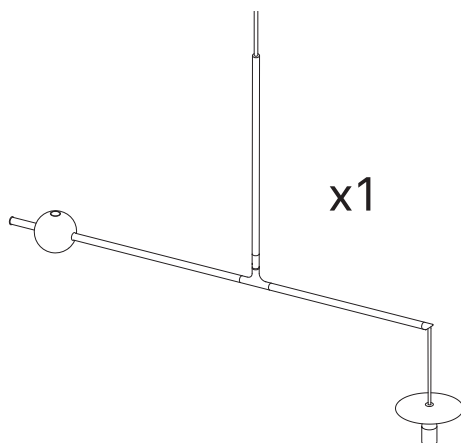
lb 22 lb



LED E27
max $\text{Ø}70 \text{ mm}$
max $\text{Ø}2.75''$

B01S22 + B01/1

B01S22



x1



x1



x1



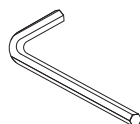
x2



x2

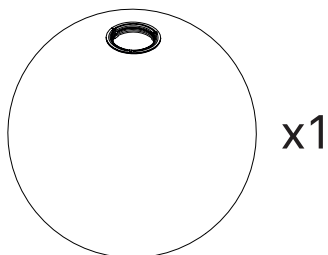


x1



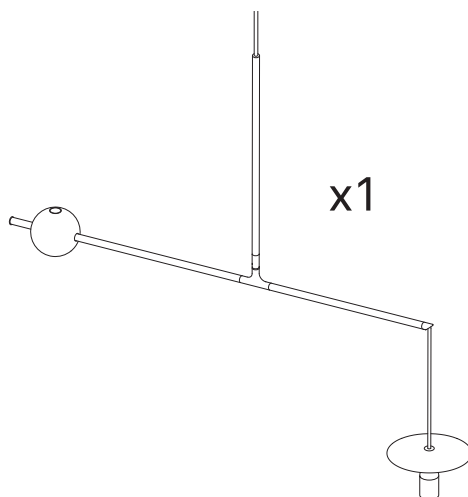
x1

B01/1 - Ø220 mm / Ø8.66"



B01S48 + B01/2

B01S48



x1



x1



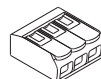
x1



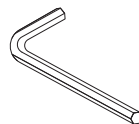
x2



x2

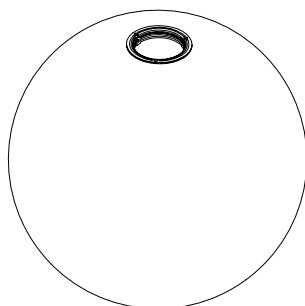


x1



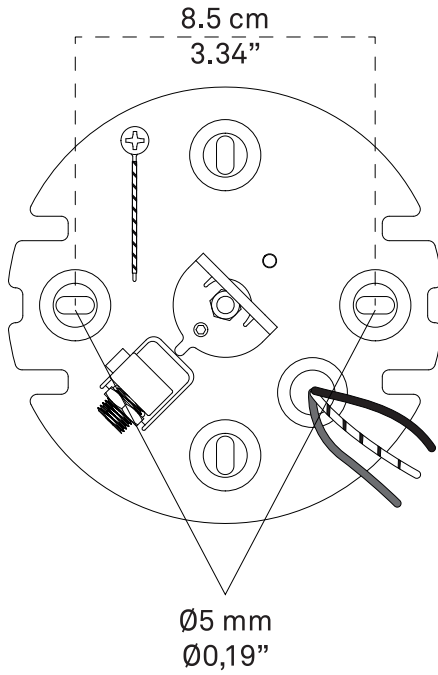
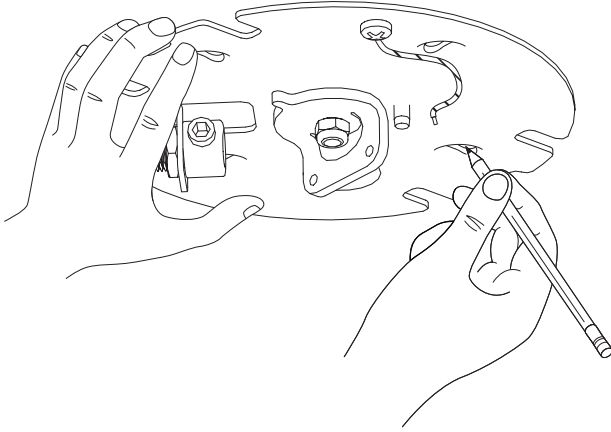
x1

B01/2 - Ø480 mm / Ø18.89"

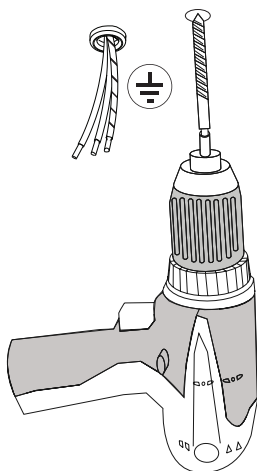
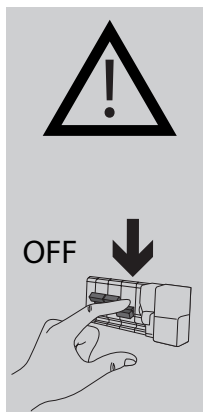


x1

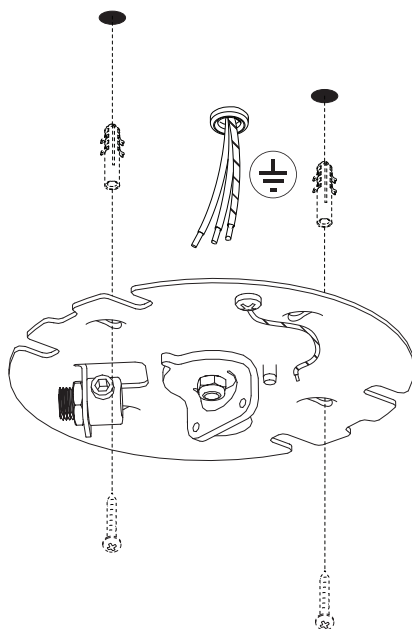
1.1 B01S22 - B01S48



1.2 B01S22 - B01S48

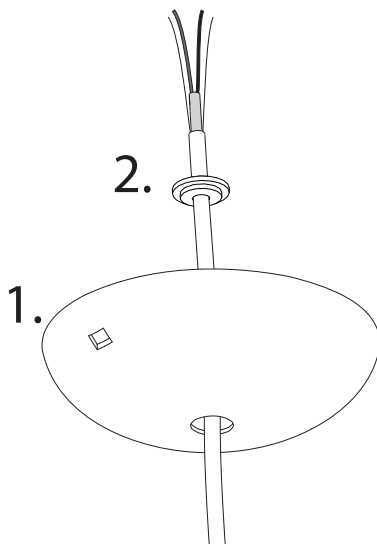
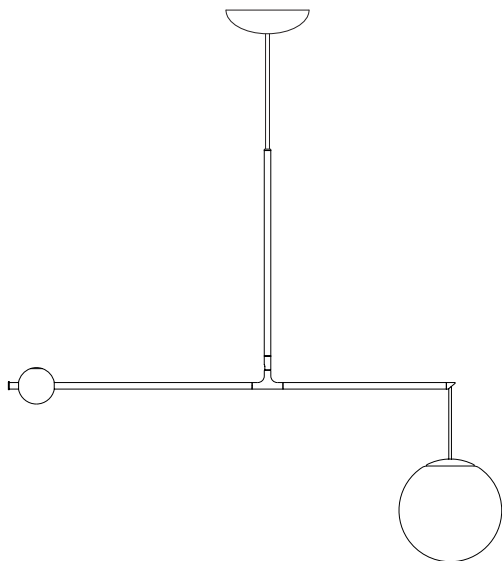


1.3 B01S22 - B01S48

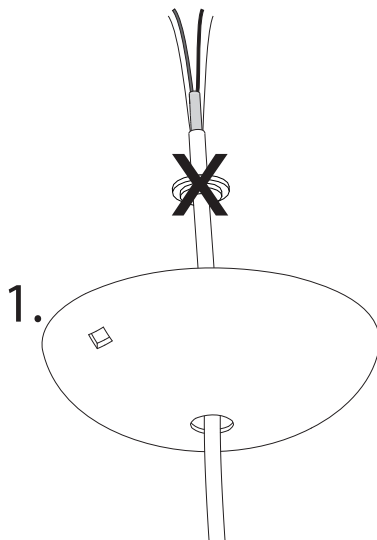
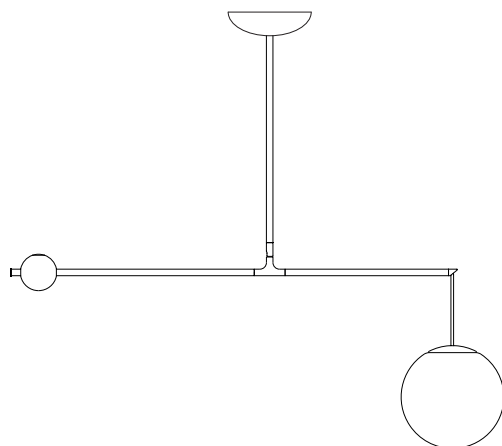


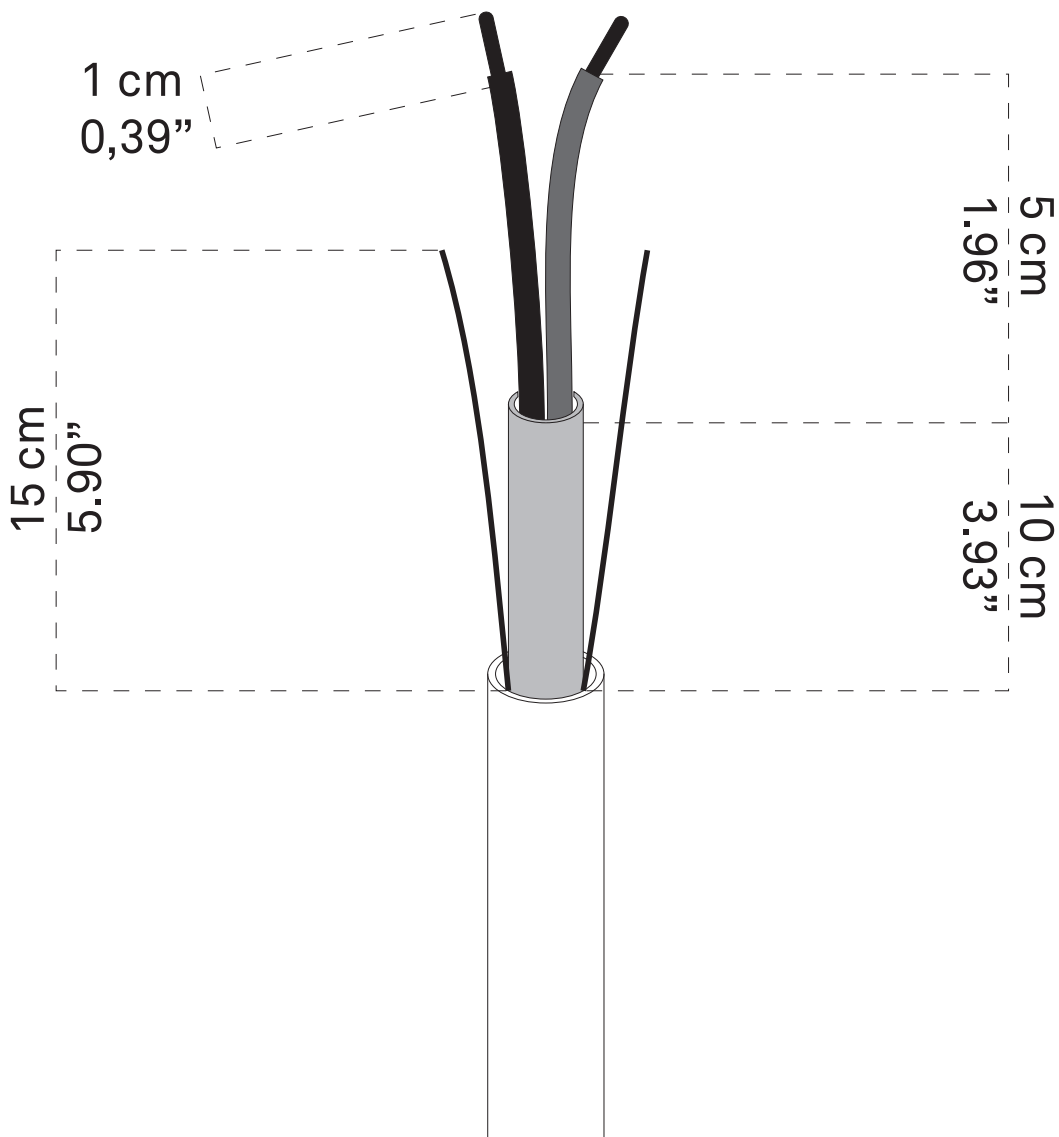
1.4 B01S22 - B01S48

1.4 a

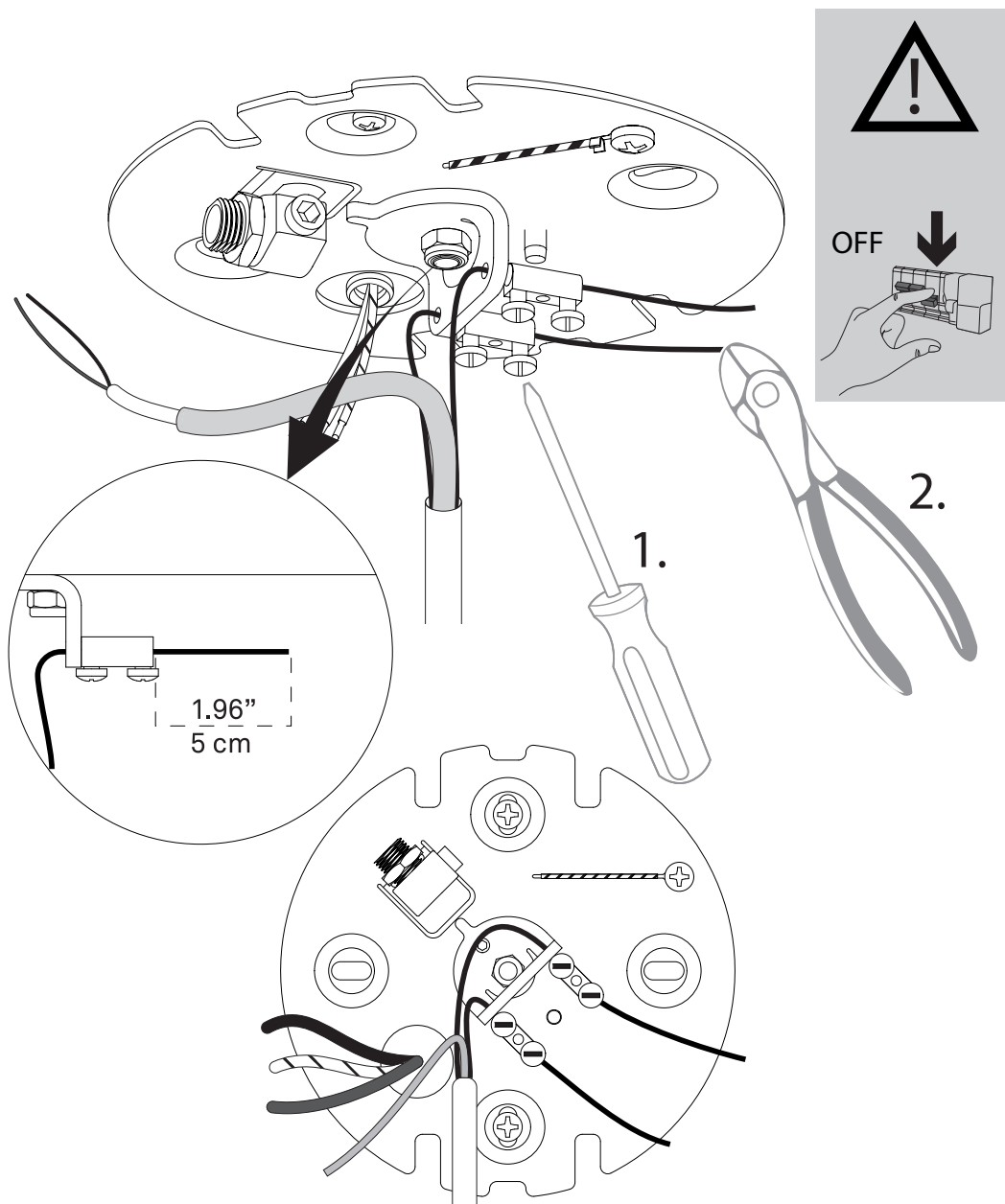


1.4 b

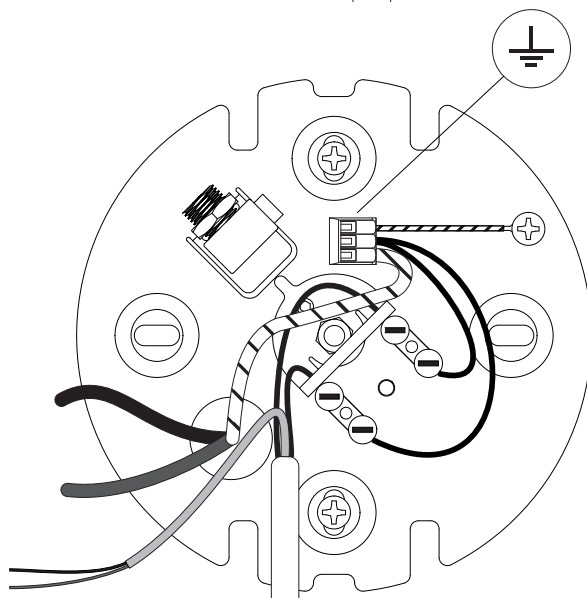
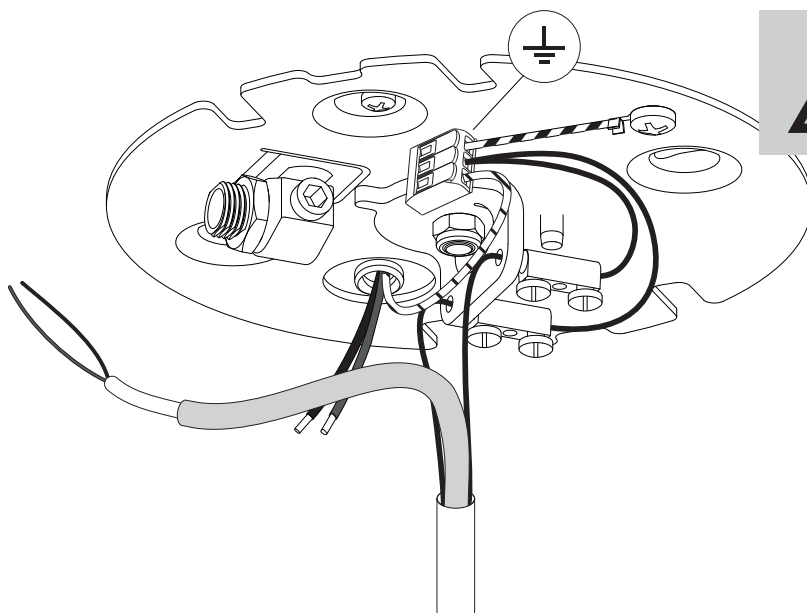




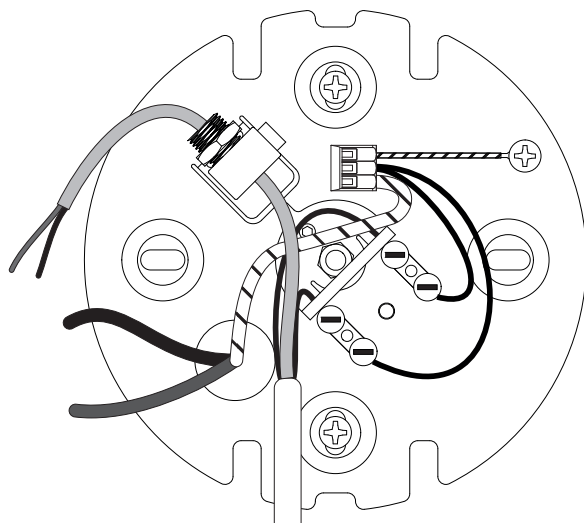
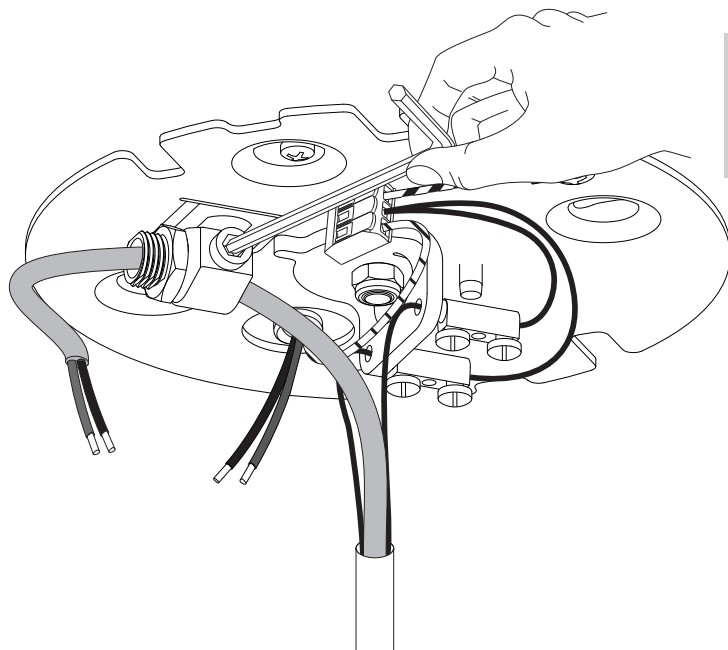
2 | 2.1 B01S22 - B01S48



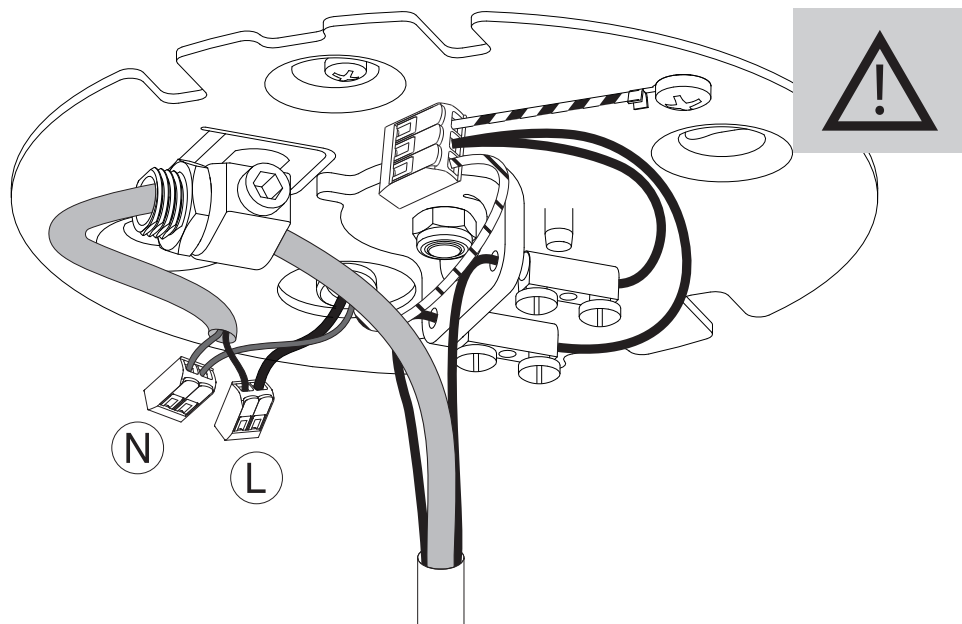
2.2 B01S22 - B01S48



2.3 B01S22 - B01S48

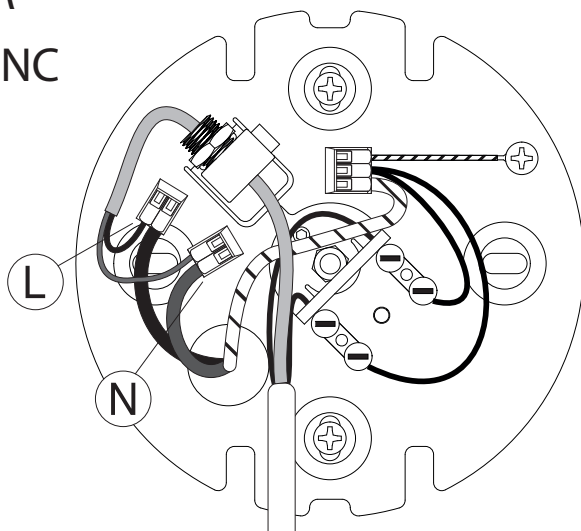


2.4 B01S22 - B01S48



L = BLACK - NOIR

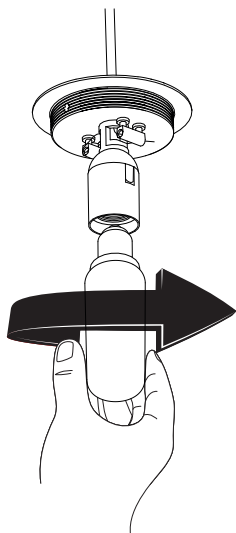
N = WHITE - BLANC



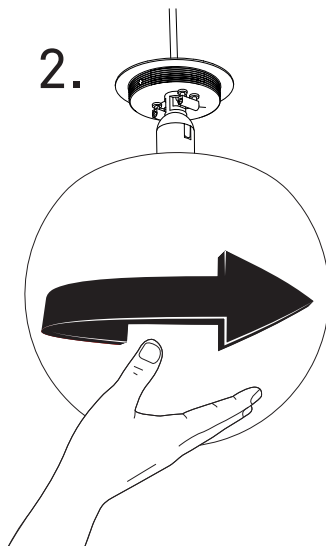
3

B01S22

1.

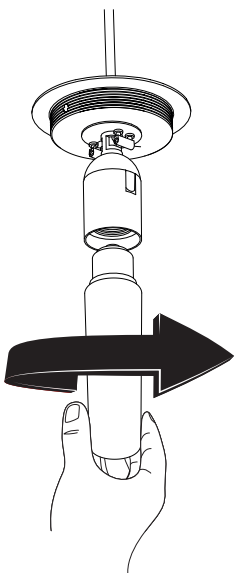


2.

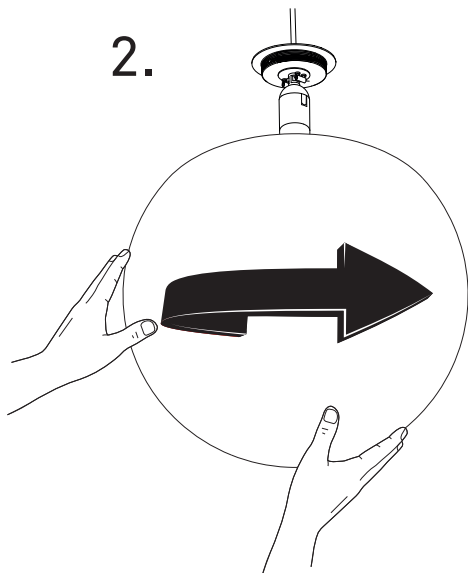


B01S48

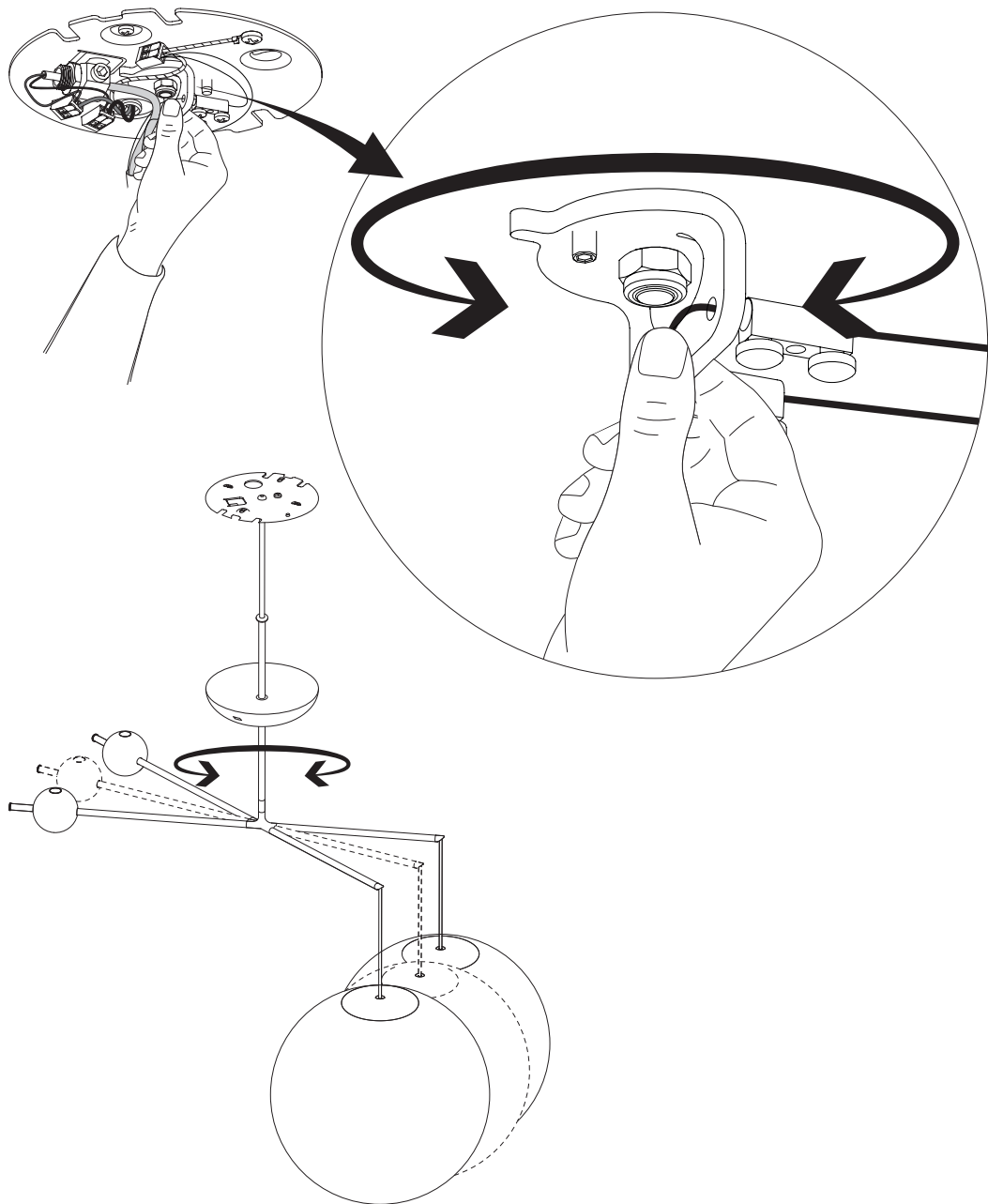
1.



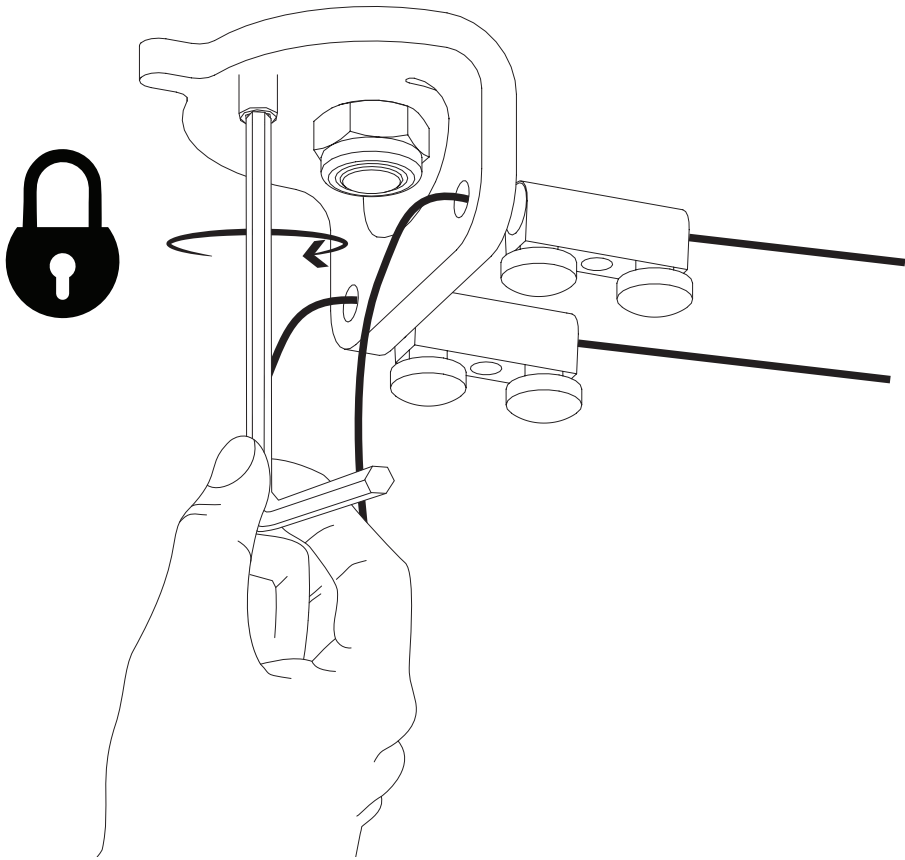
2.



4 | 4.1 B01S22 - B01S48



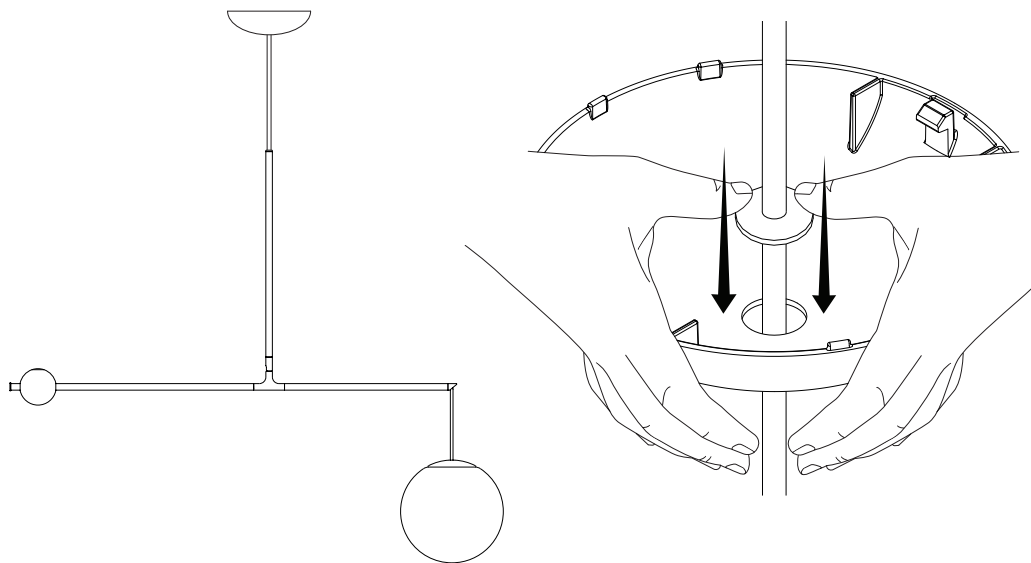
4.2 B01S22 - B01S48



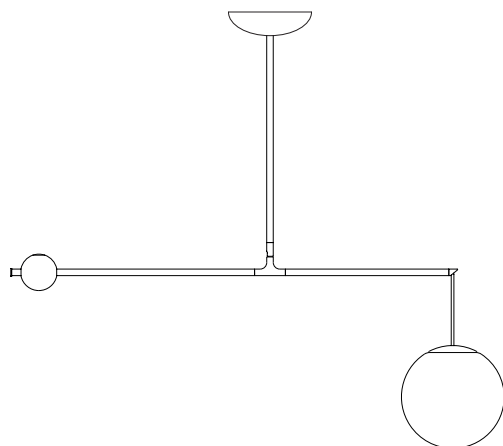
5

5.1 B01S22 - B01S48

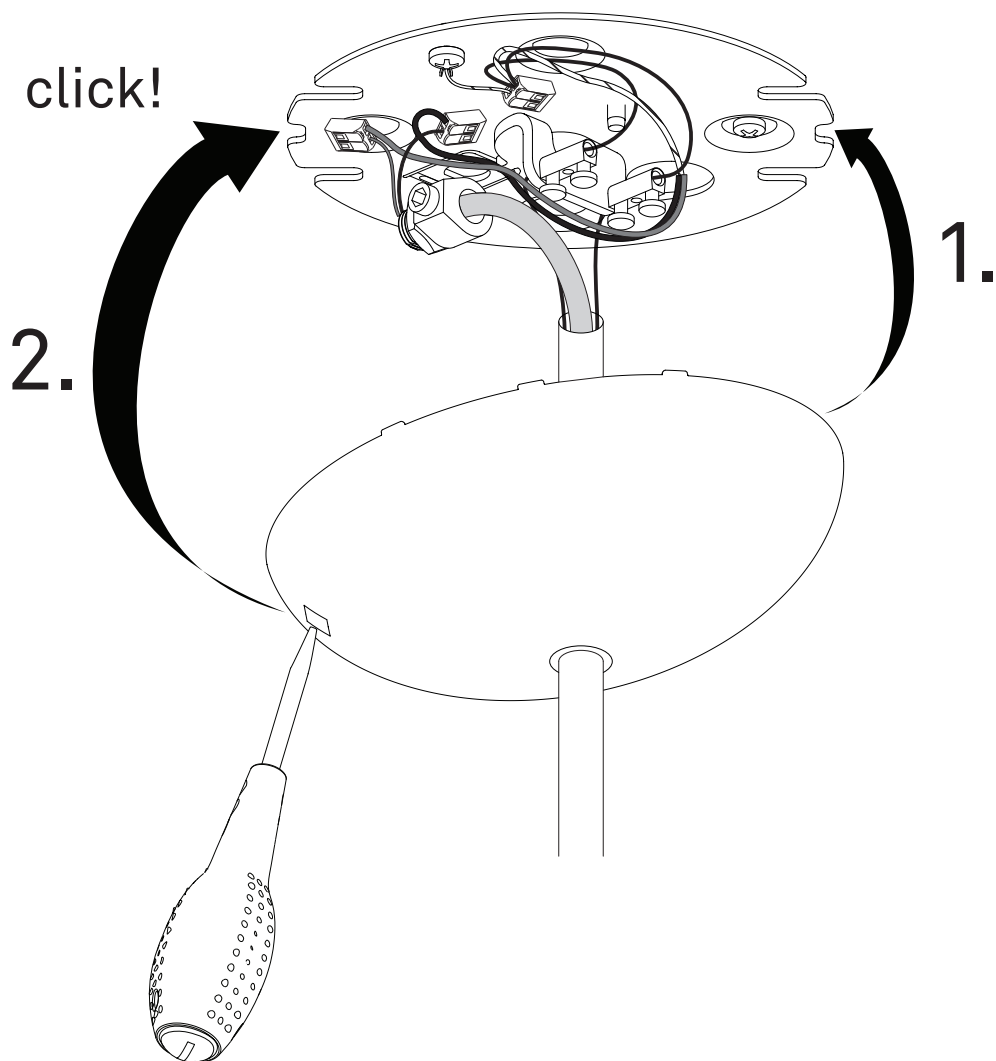
5.1 a



5.1 b

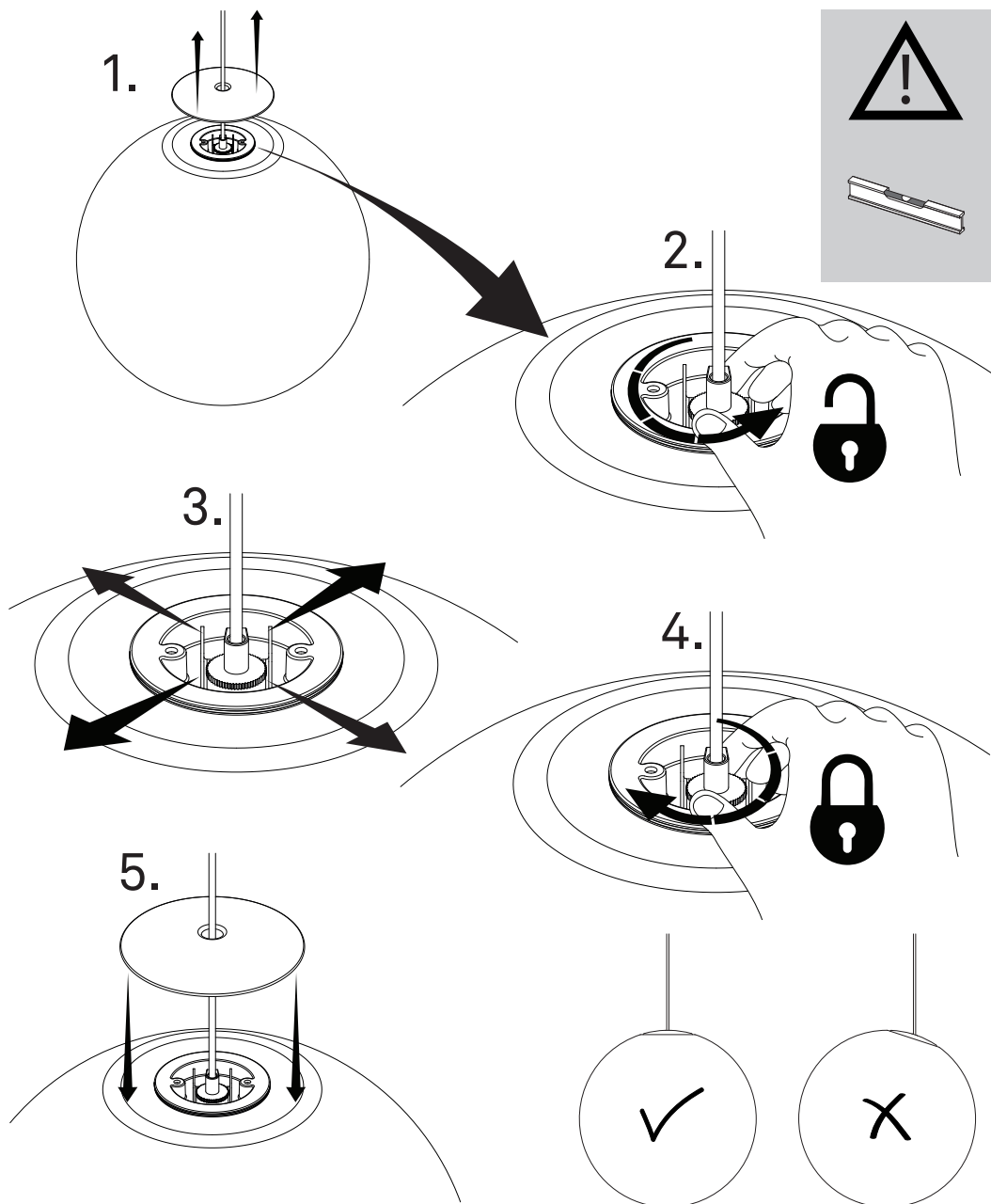


5.2 B01S22 - B01S48



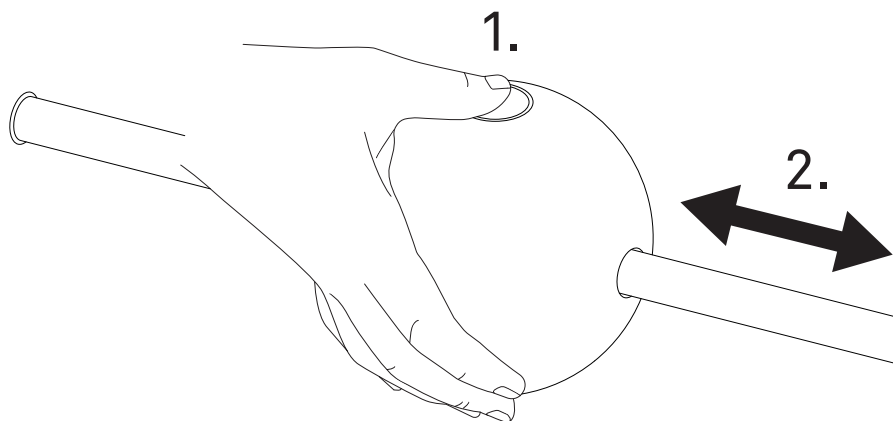
6

B01S48

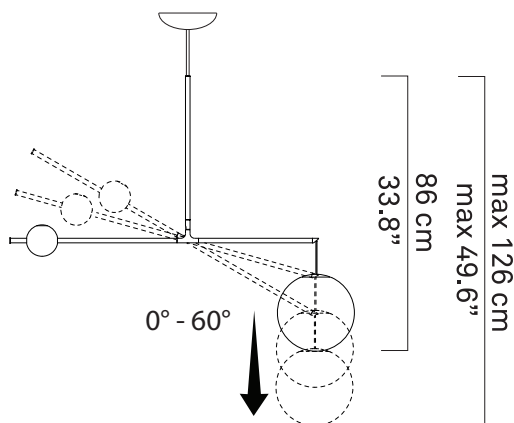


7

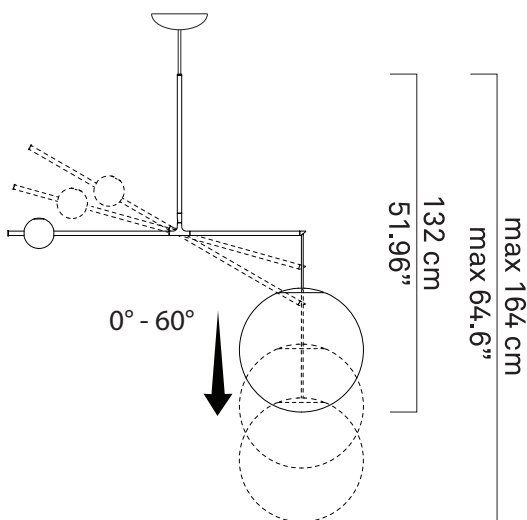
B01S22 - B01S48



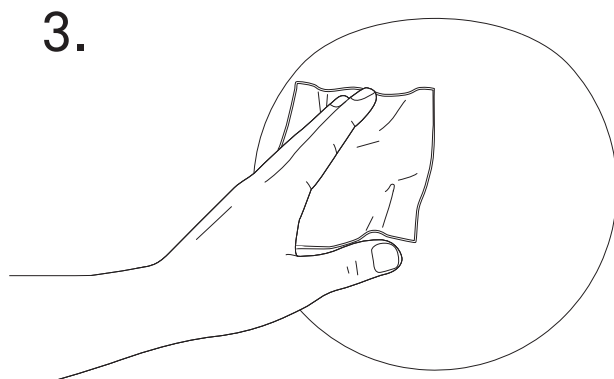
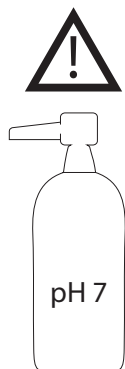
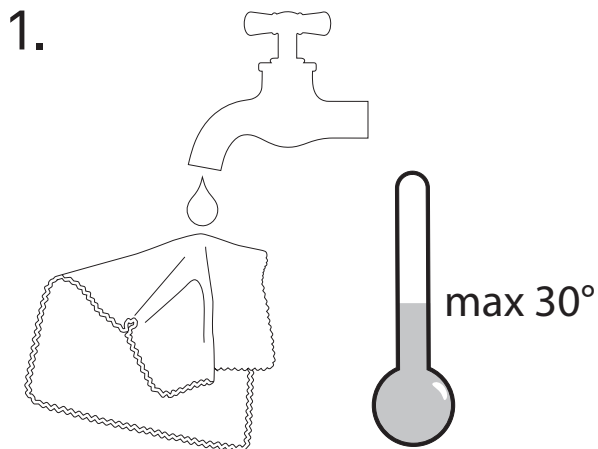
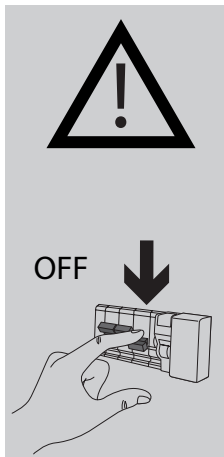
B01S22



B01S48



8





www.luceplan.com

B010IA001